

Suite 6631 R-SFR - Right hand drain, 2 Skirts (Front and Right)

Series : **Authentik Signature**

Nominal dimensions: **66" x 31" x 22" [167.6 cm x 78.7 cm x 55.9 cm]**

Seats : **1**

Product code: **SU6631R-SFR**

Draft revision : **2024110413314**

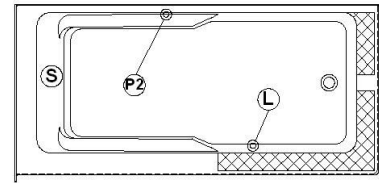
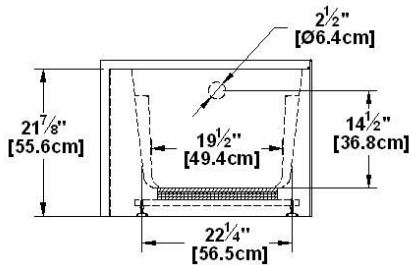
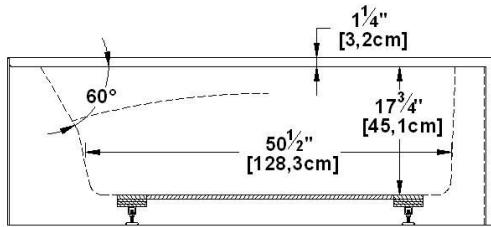
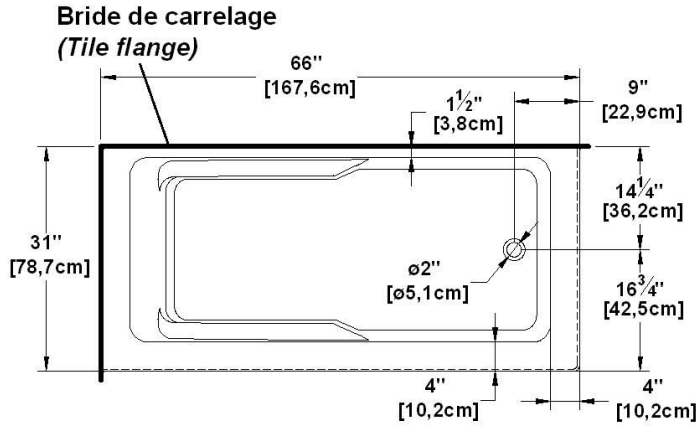
Lumbar support : yes

Arm rests : yes

Undermount : no

Low-profile available : no

Draft and specs



Specifications

Capacity: **44 IMP Gal. / 57.3 US Gal. / 200 liters**
 AeroMassage™: **40 Easy Clean™ air jets**
 Super AeroMassage™: **AeroMassage™ + 12 Easy Clean™ air jets**
 Characteristics: **2 integrated skirts**

Remarks

All measures have a precision of ± 1/4" (0,63cm)
 If a measure is present on one side only, part is symmetrical
 *internal dimensions taken at 4" (10cm) from bath bottom
 *capacity is measured by filling the bath to 1-1/2" under the overflow

Available models

- Soaker
- AeroMassage™
- Super AeroMassage™

Available recommended options

- Front skirt: Integrated
- Recommended drain: WOCOSBS14 (chrome finish)
- Tile flanges: Included on sides without skirt
- Floating remote control: Available
- Linear overflow: BDW114 (chrome finish)

Legend

- S** Blower
- L** Chromotherapy light
- P2** Grab bar
- C** Keypad
- Recommended faucets drilling location*
- Deck cut-out line - - - - -

When ordered with a linear overflow (BDW), the installation panel option is mandatory.

Additional(s) note(s)

Integrated acrylic tile flanges. If system, delivered with keypad not installed.
 Available in white only. When ordered with AeroMassage™ or Super AeroMassage™, blower must be remote mounted. Only one handle can be factory installed.

**It is possible to install the faucets elsewhere on the product. The installer must verify that there are no piping or wires before drilling.*

IMPORTANT NOTE: Specifications, dimensions and models are subject to change.

Visit our website <http://www.oceania-attitude.com> to access up-to-date dimensions and information. In all cases, information on the website is the most up-to-date.

Head office

591, avenue des Entreprises
 Theftord Mines, Quebec
 CANADA G6H 4B2

Contact numbers

Phone : 1-877-332-4224
 Fax : 1-866-460-4334

Internet

Web : <http://www.oceania-attitude.com>
 Email : info@bainsoceania.com