



FREESTANDING TUB DRAIN TECHNICAL SPECIFICATION

Job Name _____	Item # _____
Location _____	
Engineer _____	Contractor _____
PO # _____	Tag _____
Representative _____	

SPECIFICATIONS

The Freestanding Tub Drain shall be used when installing Island tubs during remodels, on concrete slabs, and anywhere where access from below is limited. The body shall be made of PVC, ABS or Cast Iron and have a stainless steel ring or one-piece design. The drain shall be compatible with all types of freestanding tubs including center or offset drains, allowing for quick & easy installation between the P-trap and tub. The drain shall allow for completion of the connection with a 4" hole in the subfloor during rough-in and shall not require access from below the floor. No stub out shall be required for the installation of the tub, and the drain shall mount directly to the floor. It shall include an easy-to-grab protective cover that can easily be removed with channel lock pliers. It shall also come supplied with flanged brass tailpiece, lubricant, and a schedule 40 PVC/ABS threaded tailpiece adapter. The pre-installed, tool free test plug shall allow for water, smoke and air testing up to 40 ft. of head and remove with a quarter turn. Available in ABS, schedule 40 PVC and cast iron with a stainless steel flange. Optional ABS or PVC one-piece with integrated flange.

APPLICATIONS/USES

- Freestanding Tubs with either centered or offset drains
- Ideal for renovations with limited access or installations on slabs

SUITABLE SUBSTRATES

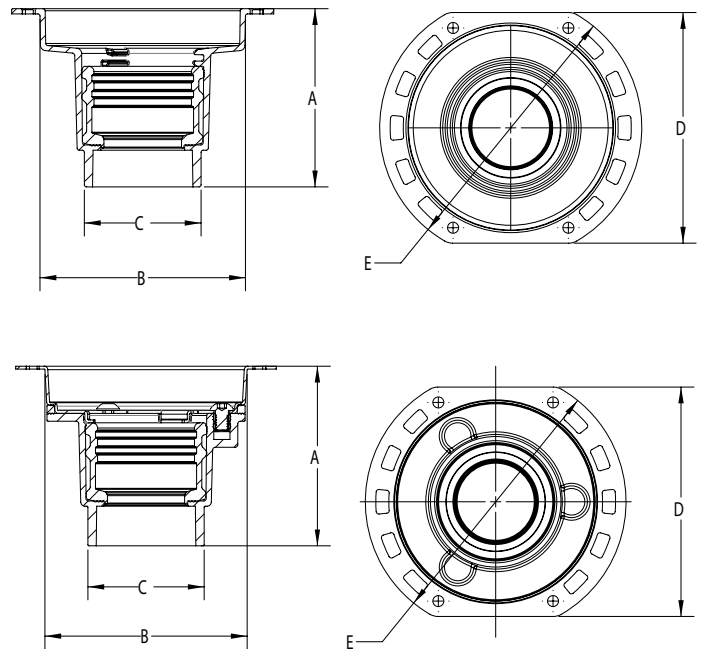
Connects to brass or Schedule 40 tailpieces

DRAIN ASSEMBLY INCLUDES

Freestanding tub drain body, protective cap cover, 1-1/2 in. schedule 40 PVC/ABS threaded tailpiece adapter, 1-1/2 in. x 2 in. schedule 40 PVC/ABS adapter (NOT included with FTD357), 1-1/2 in. x 8 in. flanged brass tailpiece, 1-1/2 in. x 8 in. threaded brass tailpiece, slip joint nut, slip joint washer, quarter turn test plug, cutout template, lubricant

APPROVALS & LISTINGS

- National Plumbing Code of Canada
- International Plumbing Code (IPC®)
- ASME A112.18.2-2020/CSA B125.2-20



DIMENSIONS

	1-Piece Integrated Flange	Stainless Steel Flange
[A] Length	3.40"	3.45"
[B] Drain Body OD	3.92"	3.88"
[C] Tailpiece OD	2.23"	2.23" (2.68" for Cast Iron)
[D] Anchoring Flange (Asymmetrical width)	4.40"	4.40"
[E] Anchoring Flange Diameter	5.00"	5.00"

Access BIM/Revit content through www.oatey.com



FREESTANDING TUB DRAIN TECHNICAL SPECIFICATION

PRODUCT SELECTOR

FREESTANDING TUB DRAIN				
✓	Product Number	Body Material	Body Style	Flange Material
	FTD5135	PVC	Two-piece	Stainless Steel
	FTD5135P	PVC	One-piece	PVC
	FTD35	ABS	Two-piece	Stainless Steel
	FTD35P	ABS	One-piece	ABS
	FTD357	CAST IRON	Two-piece	Stainless Steel

Access BIM/Revit content through www.oatey.com