

# Oasis 48-inch, Acrylic Shower Compartment With Integral Unit Dome and ActivLife 2-Bar (2-horizontal) Package

48-inch / Private Access / Bars Only



**Specification** – Oasis one-piece, 48 x 32-3/4-inch deep, vacuum formed acrylic shower with integral unit dome and center drain, model SHA-DM-4833, offered in a standard 4.5-inch or 6-inch (ABF) dam configuration. ActivLife package includes a horizontal bar across the back wall and across the control wall.

**Standards Certification:**

The shower compartment listed is manufactured in compliance with ANSI Z124 Standards, and certified through an ongoing, independent quality assurance and testing program.

The factory-applied grab bar package is certified through an independent review program.



**SHA-DM-4833 / BP1-R**  
(RH control / 2-bar package)  
Model & Package Illustrated

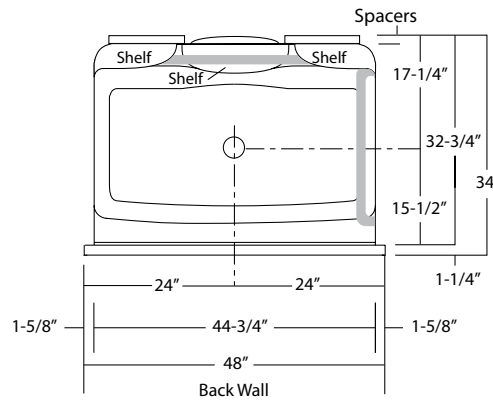
**NOTE:** Positioning of factory attached grab bars allow for installation of a shower enclosure.



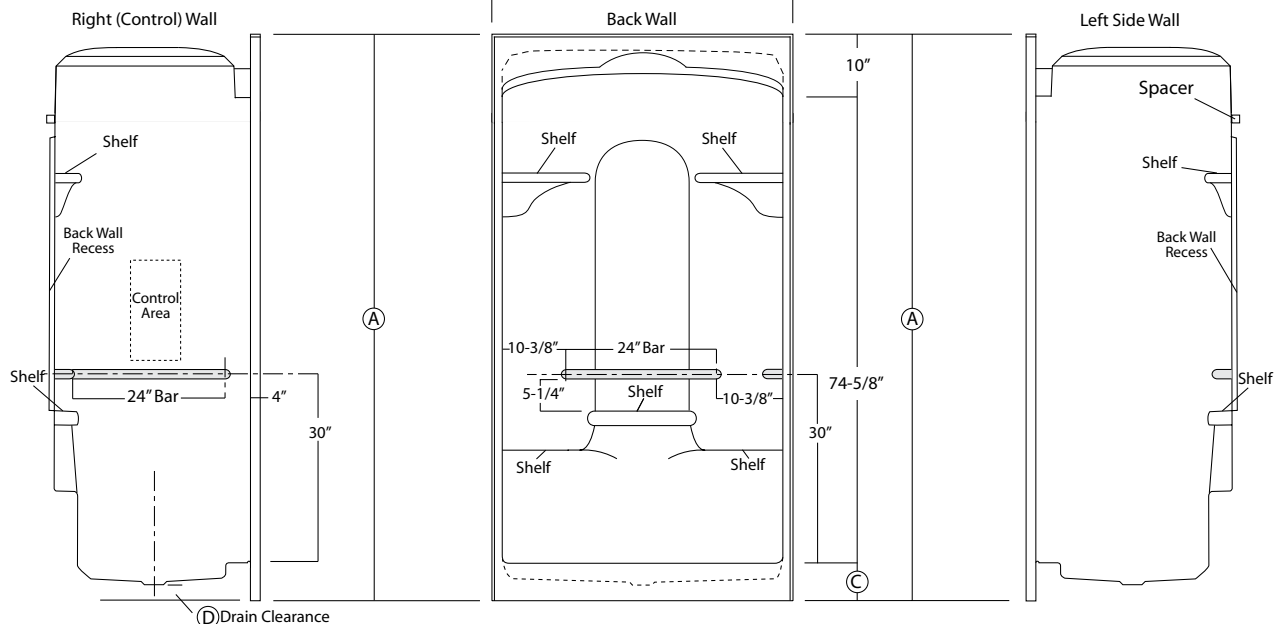
**Home Innovation**  
LAB CERTIFIED™



	Std Unit	ABF Unit
A	89-3/8"	90-7/8"
B	-	-
C	4-1/2"	6"
D	1"	2-1/2"
E	-	-
F	-	-



Enclosure Size:  
44-3/4" w (max) x 74-5/8" h (max)



Dimensions shown are maximum. Due to the nature of the materials involved, actual unit dimensions can vary (tolerances: +0 / -3/8 inch). Oasis reserves the right to modify or discontinue product and/or associated equipment without prior written or verbal notification or obligation.

Model ID	Package Code	Description (define configuration referencing control wall)
----------	--------------	-------------------------------------------------------------

SHA-DM-4833 (Std or ABF) / BP1-R (right wall)		48" x 32-3/4", integral dome acrylic shower with center drain, 4.5" (Std) or 6" (ABF) dam, and ActivLife 1.50" dia. stainless steel 2-bar package (single horizontal back wall bar, single horizontal bar on control wall).
SHA-DM-4833 (Std or ABF) / BP1-L (left wall)		

**Powder Coated Bar Packages (1.25-inch dia.)**

SHA-DM-4833 (Std or ABF) / BP1-R WHT (right wall)		48" x 32-3/4", integral dome acrylic shower with center drain, 4.5" (Std) or 6" (ABF) dam, and ActivLife 1.25" dia. white powder coated, 2-bar package (single horizontal back wall bar, single horizontal bar on control wall).
SHA-DM-4833 (Std or ABF) / BP1-L WHT (left wall)		

SHA-DM-4833 (Std or ABF) / BP1-R OFW (right wall)		48" x 32-3/4", integral dome acrylic shower with center drain, 4.5" (Std) or 6" (ABF) dam, and ActivLife 1.25" dia. off-white powder coated 2-bar package (single horizontal back wall bar, single horizontal bar on control wall).
SHA-DM-4833 (Std or ABF) / BP1-L OFW (left wall)		

SHA-DM-4833 (Std or ABF) / BP1-R SNK (right wall)		48" x 32-3/4", integral dome acrylic shower with center drain, 4.5" (Std) or 6" (ABF) dam, and ActivLife 1.25" dia. nickel 2-bar package (single horizontal back wall bar, single horizontal bar on control wall).
SHA-DM-4833 (Std or ABF) / BP1-L SNK (left wall)		

**Package Notes:**

1. Model available without listed package.
2. For package with vertical bar at entry see ActivLife "BP2" package code.
3. For bar and folding seat packages, see ActivLife "TL-RS/LS" and "TLV-RS/LS" package codes.

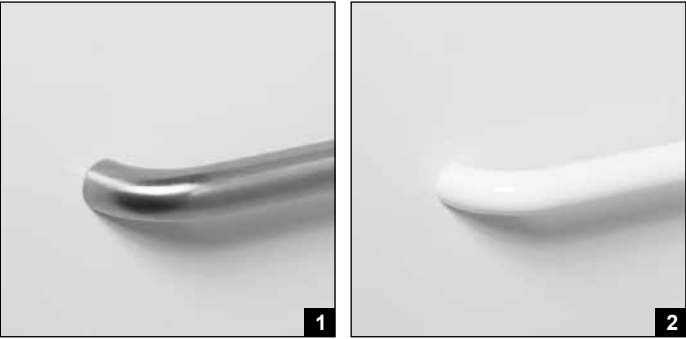
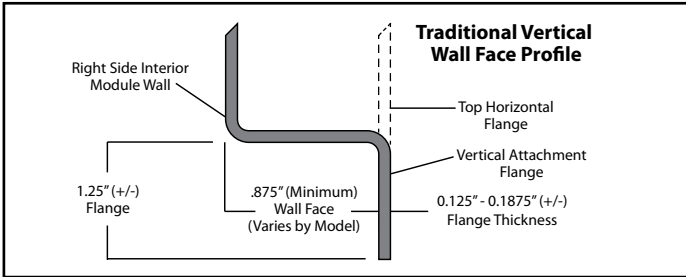


Photo 1: Grab Bars: Factory-installed 1.50-inch diameter, concealed attachment, 18 gauge, #304 brushed stainless steel grab bars. Concealed attachment design provides tamper-resistance and minimizes debris collection areas at contact points, compared to common exposed flange bar designs, without compromising bar attachment integrity. (Reinforced areas include a structural core material encapsulated in FRP composite.)

Photo 2: Grab Bars: Factory-installed 1.25-inch dia. powder coated (in finishes listed above), concealed attachment, 18 gauge, #304 stainless steel grab bars. Concealed attachment design provides tamper-resistance and minimizes debris collection areas at contact points, compared to common exposed flange bar designs, without compromising bar attachment integrity. (Reinforced areas include a structural core material encapsulated in FRP composite.)