

Oasis 48-inch Shower Compartment With ActivLife 3-Bar (3-horizontal) Package

48-inch / Private Access / Bars Only



Specification – Oasis one-piece FRP gelcoat shower compartment SH-4836, offered in a standard 4-inch or 6-inch (ABF) dam configuration. ActivLife package includes a single horizontal bar on the back wall and single horizontal bars on each side wall.

Standards Certification:

The shower compartment listed is manufactured in compliance with ANSI Z124 Standards, and certified through an ongoing, independent quality assurance and testing program.

The factory-applied grab bar package is certified through an independent review program.



SH-4836 / BP3
(3-bar package)
Model & Package Illustrated

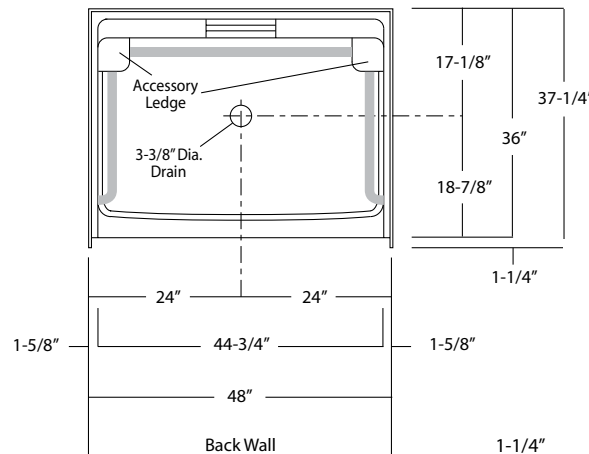
NOTE: Positioning of factory attached grab bars allow for installation of a shower enclosure.



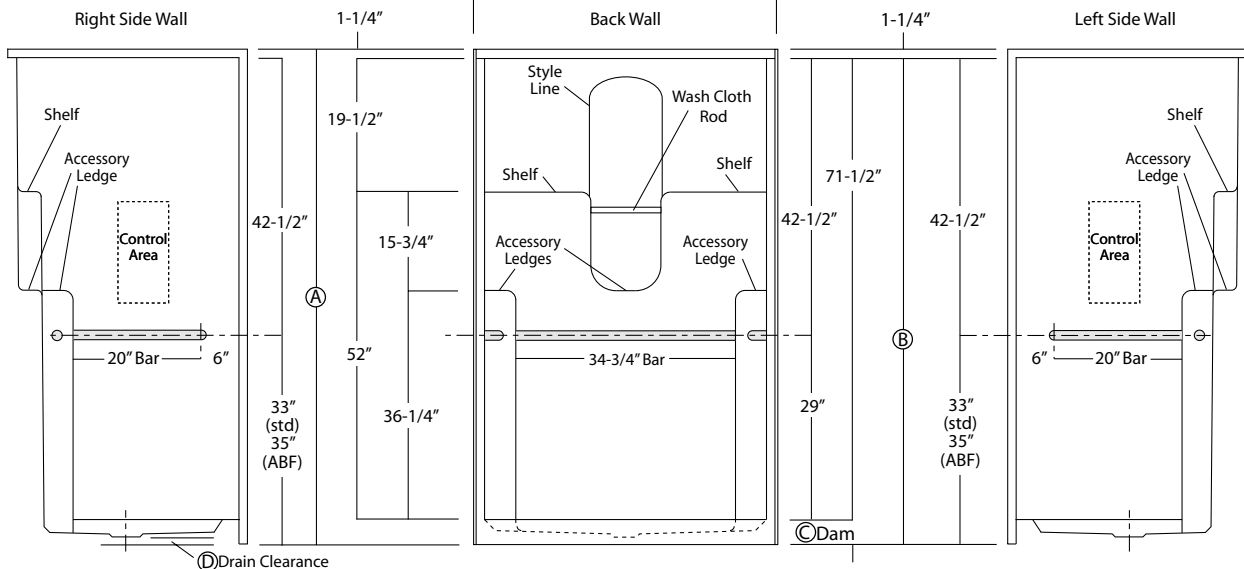
Home Innovation
LAB CERTIFIED™



	Std Unit	ABF Unit
A	76-3/4"	78-3/4"
B	75-1/2"	77-1/2"
C	4"	6"
D	1"	3"
E	-	-
F	-	-



Enclosure Size:
44-3/4" w (max) x 71-1/2" h (max)



Dimensions shown are maximum. Due to the nature of the materials involved, actual unit dimensions can vary (tolerances: +0 / -3/8 inch). Oasis reserves the right to modify or discontinue product and/or associated equipment without prior written or verbal notification or obligation.

Model ID	Package Code	Description
----------	--------------	-------------

SH-4836 (Std or ABF)	/ BP3	48" x 36", center drain shower with 4" (std) or 6" (ABF) dam, and ActivLife 1.50" dia. stainless steel 3-bar package (single horizontal back wall bar, single horizontal bar on both side walls).
----------------------	-------	---

Powder Coated Bar Packages (1.25-inch dia.)

SH-4836 (Std or ABF)	/ BP3 WHT	48" x 36", center drain shower with 4" (std) or 6" (ABF) dam, and ActivLife 1.25" dia. white powder coated 3-bar package (single horizontal back wall bar, single horizontal bar on both side walls).
SH-4836 (Std or ABF)	/ BP3 OFW	48" x 36", center drain shower with 4" (std) or 6" (ABF) dam, and ActivLife 1.25" dia. off-white powder coated 3-bar package (single horizontal back wall bar, single horizontal bar on both side walls).
SH-4836 (Std or ABF)	/ BP3 SNK	48" x 36", center drain shower with 4" (std) or 6" (ABF) dam, and ActivLife 1.25" dia. nickel finish 3-bar package (single horizontal back wall bar, single horizontal bar on both side walls).

Package Notes:

1. Model available without listed package.
2. For bar and seat packages, see ActivLife "TL-RS/LS" and "TLV-RS/LS" package codes.
3. For 3-bar package with a vertical bar on control wall, see ActivLife "BP2" package code.
4. For 2-bar package without a vertical bar on control wall, see ActivLife "BP1" package code.
5. For single horizontal bar package, see ActivLife "BP5" package code.
6. For REINFORCEMENT ONLY for horizontal bars (HUD/FHA-Fair Housing), see ActivLife "FH" package code.
7. For expanded reinforcement package options, (with or without listed package components), see ActivLife "3SM" and "3SF" package codes.

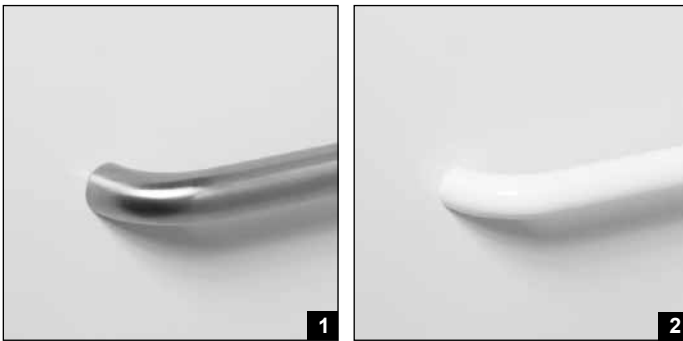
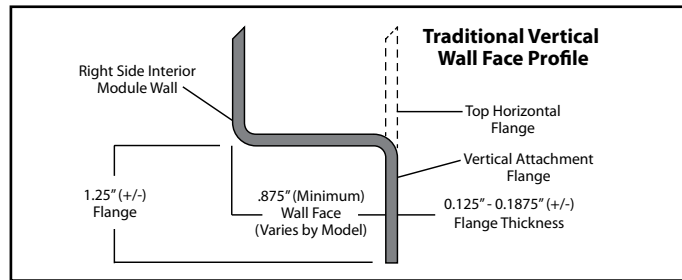


Photo 1: Grab Bars: Factory-installed 1.50-inch diameter, concealed attachment, 18 gauge, #304 brushed stainless steel grab bars. Concealed attachment design provides tamper-resistance and minimizes debris collection areas at contact points, compared to common exposed flange bar designs, without compromising bar attachment integrity. (Reinforced areas include a structural core material encapsulated in FRP composite.)

Photo 2: Grab Bars: Factory-installed 1.25-inch dia. powder coated (in finishes listed above), concealed attachment, 18 gauge, #304 stainless steel grab bars. Concealed attachment design provides tamper-resistance and minimizes debris collection areas at contact points, compared to common exposed flange bar designs, without compromising bar attachment integrity. (Reinforced areas include a structural core material encapsulated in FRP composite.)