

BUILDER SERIES



Home Innovation
LAB CERTIFIED™



71-3/4-INCH WIDE MODEL

Prestige 4272 (Self-Rimming)

Unit Dimensions

71-3/4" wide x 42" deep x 21" high

Unit Features

- Vacuum Formed Acrylic
- 2" Dia. End Drain (see reverse side for location)
- 2-1/2" Dia. Overflow (see reverse side for location)
- Twin, Contoured Armrests
- Pre-Leveled Block Base System
- Balsa Wood Core Floor Structure
- Textured Floor Pattern

Special Notes

- Whirlpool System Available (see reverse side for details)
- UL Listed Whirlpool System

Unit / System Order Number

Acrylic: TR-B-140 / 0ND (soaking tub)
TR-B-140 / 6P (Builder System)

System Trim

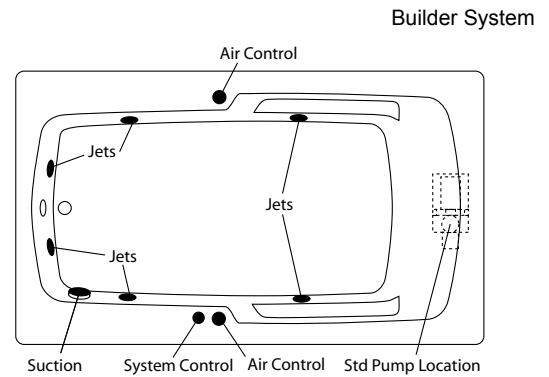
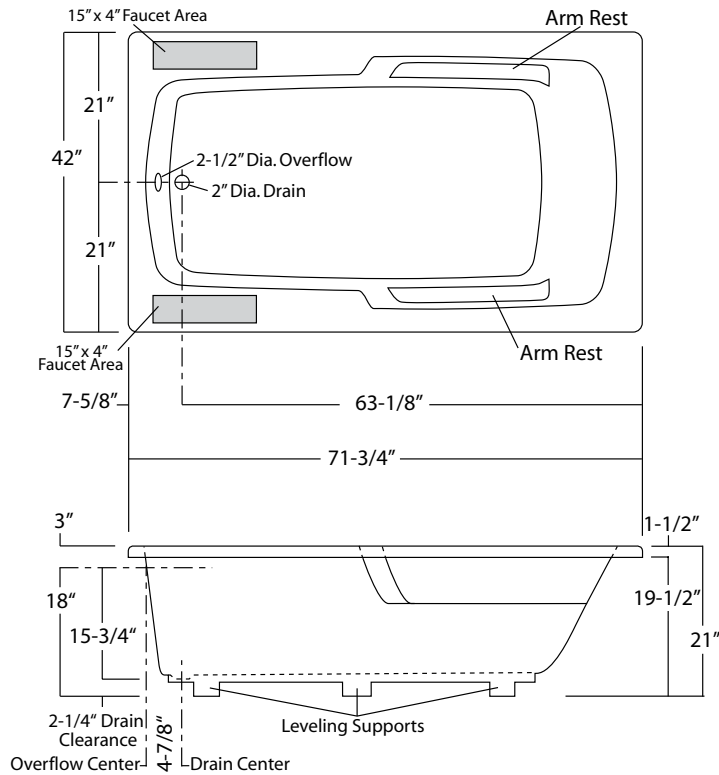
Standard 6P Trim (order code): White trim on White unit (WHT) - Biscuit trim on Biscuit unit (BSC)

Order Number / Description

6P: *Builder System* includes: 6-Adjustable jets, twin air controls, pneumatic system control, and 5.50 amp pump/motor.

Options: In-Line Heater (1*) (order: ILH)
 Ozone Generator (1*) (order: OZG)

Notes: (1*) Factory installed options
 (2*) Includes system control upgrade
 (3*) Available on acrylic models only



Prestige 4272: TR-B-140
 Sump Dimen: 58" long x 27-1/2" wide x 17-1/4" deep
 Sump Capacity: 83 gal. (unoccupied - to overflow)
 Whirlpool Operating: 42 gal.

Photographic images may include optional components and appear different than actual product.
 Dimensions shown are maximum. Due to the nature of the materials involved, actual unit dimensions can vary (tolerances: +/-1/8 inch)
 Oasis reserves the right to modify or discontinue product and/or associated equipment without prior written or verbal notification or obligation.