

ACRYLLUS SERIES
'OPEN TOP'
SHOWER STALL

Oasis®



48-INCH MODEL

SHA-4833

Rough-In Dimen.

48" wide x 34" deep x 76-1/2" high (w/ 4-1/2" dam)

Finished Dimen.

48" wide x 32-3/4" deep x 75-1/4" high (w/ 4-1/2" dam)

Unit Features



Home Innovation
LAB CERTIFIED™

- One - Piece Fiberglass Composite Construction
- Vacuum Formed Acrylic Surface
- 3-3/8" Dia. Center Drain (see reverse side for location)
- Gelcoat Style Mounting Flanges
- Low Profile Dam (standard)
- Generous, Multi-Level Back Wall Shelving
- Balsa Wood Core Floor Structure

Special Notes

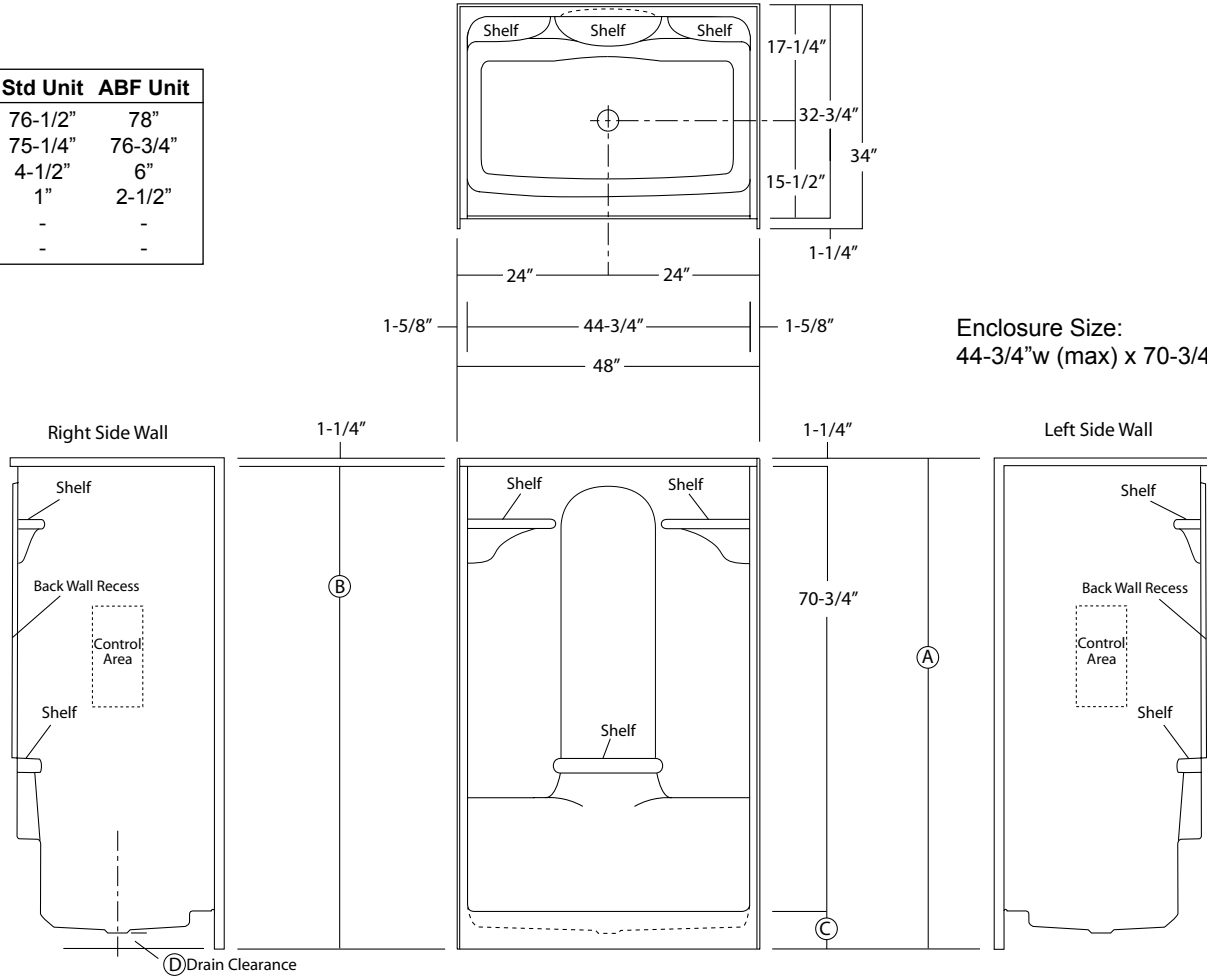
- Optional ABF Model (provides 2-1/2-inches of drain clearance)
- Factory Applied Bar Packages Available
- Single Seat Version Available
- Domed Versions Available

Order No.: SHA-4833 (no seat / 4-1/2" dam)

SHA-4833 ABF (no seat / 6" dam)

48" x 32-3/4", one-piece vacuum formed open top acrylic shower stall with multi-level back wall shelving, gelcoat style mounting flanges, 4-1/2" low profile dam (1" drain clearance), wall surround, and center drain.

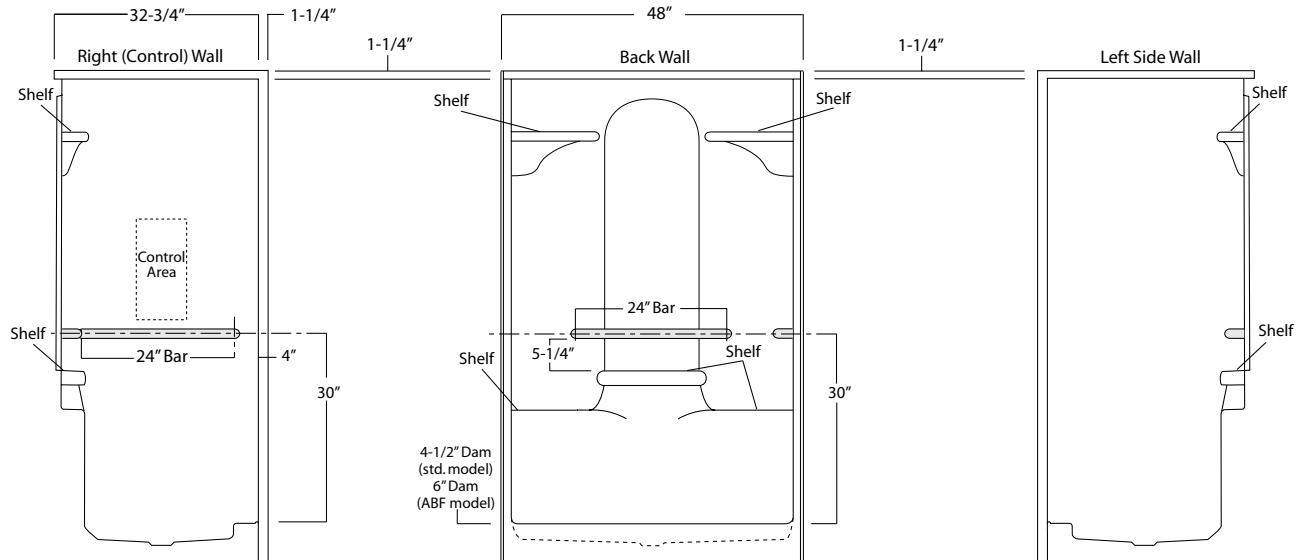
	Std Unit	ABF Unit
A	76-1/2"	78"
B	75-1/4"	76-3/4"
C	4-1/2"	6"
D	1"	2-1/2"
E	-	-
F	-	-



Enclosure Size:
44-3/4"w (max) x 70-3/4"h (max)

Package Order No.: BP1 (R or L)(2-bar only package)
Upgrade Package No.: BP1 WHT (R or L)(1-1/4" dia., white powder coat, 2-bar only package)
 BP1 OFW (R or L)(1-1/4" dia., off-white powder coat, 2-bar only package)
 BP1 SNK (R or L)(1-1/4" dia., satin nickel, 2-bar only package)

Package Includes: Factory installed, 1-1/2" dia. stainless steel, 2-bar package with basic reinforcement for components (R shown).
 NOTES: Positioning of factory installed components allow for the installation of a shower enclosure.
 "R or L" designates RH or LH control wall.



Package Order No.: BP2 (R or L)(3-bar only package)
Upgrade Package No.: BP2 WHT (R or L)(1-1/4" dia., white powder coat, 3-bar only package)
 BP2 OFW (R or L)(1-1/4" dia., off-white powder coat, 3-bar only package)
 BP2 SNK (R or L)(1-1/4" dia., satin nickel, 3-bar only package)

Package Includes: Factory installed, 1-1/2" dia. stainless steel, 3-bar package with basic reinforcement for components (R shown).
 NOTES: Positioning of factory installed components allow for the installation of a shower enclosure.
 "R or L" designates RH or LH control wall.

