

VURSA kd SERIES
SHOWER STALL

Oasis®

SH4P-6032 / BP2-60 shown



MULTI-PIECE MODEL

SH4P-6032 (4-piece / center drain)

Rough-In Dimensions

60" wide x 33-1/4" deep x 76-1/4" high (w/ 4-inch dam)

Finished Dimensions

60" wide x 32" deep x 75" high (w/ 4-inch dam)

Unit Features



- Four - Piece Fiberglass Composite Construction
- Sanitary Grade Polyester Gelcoat Surface
- Front-Side Installation With Minimal Sealant Requirements
- 3-3/8" Dia. Center Drain
- Anti-Drip Front Dam Ledge
- Generous, Multi-Level Back Wall Shelving
- Wall Design Accommodates Grab Bar Applications
- Textured Floor Pattern
- 1/2-inch Balsa Wood Core Floor Structure

Special Notes

- Optional ABF Model (provides 3-inches of drain clearance)
- 'QwikClic' Technology
- Factory Applied Reinforcement Available
- Factory Applied Bar Packages Available

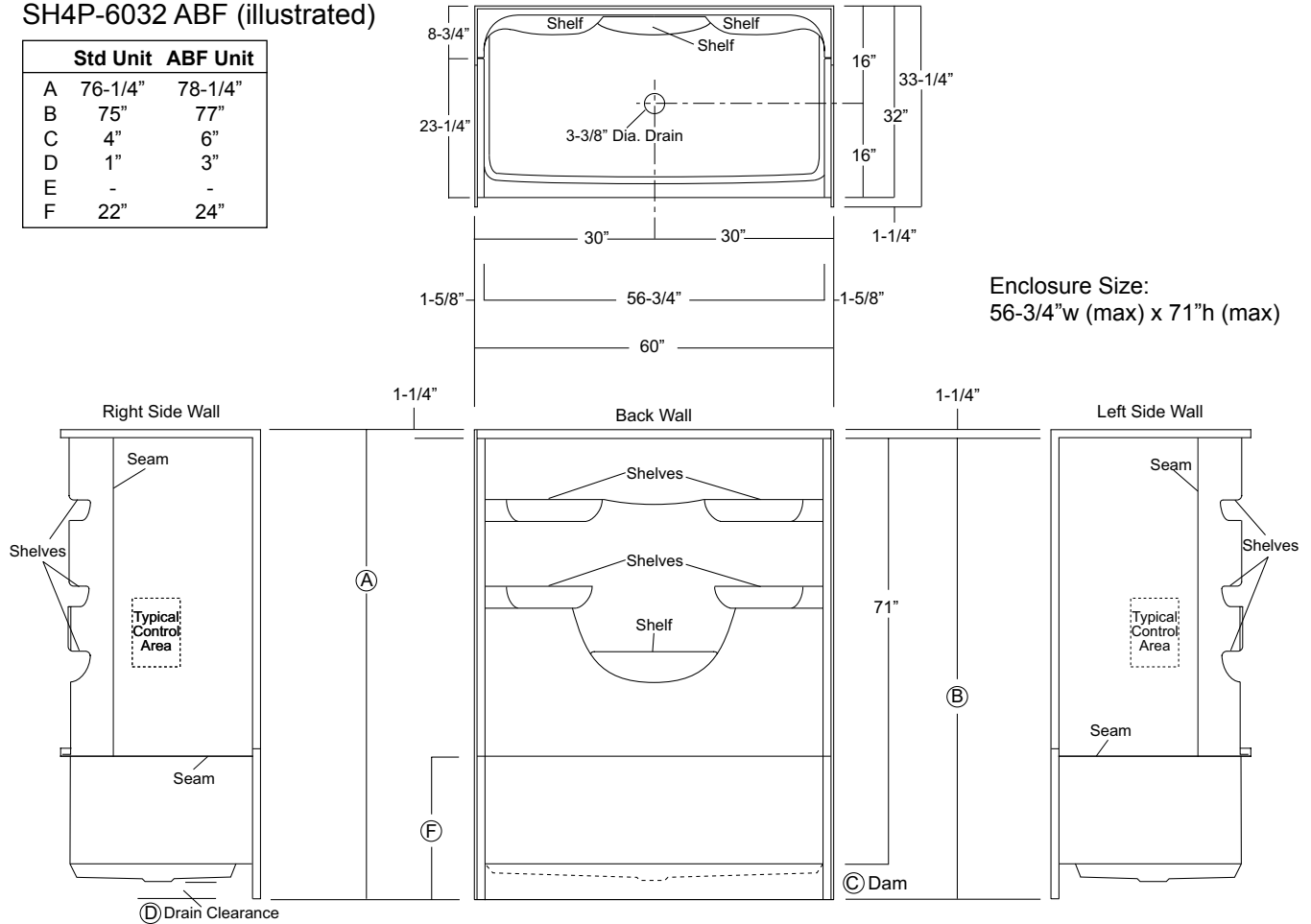
Order No.: SH4P-6032 (center drain / 4" dam)

Order No.: SH4P-6032 ABF (center drain / 6" dam)

60" x 32", 4-piece gelcoated fiberglass shower with 'QuikClic', front installation, 4" low profile dam (1" drain clearance) multi-level back wall shelves and center drain.

SH4P-6032 ABF (illustrated)

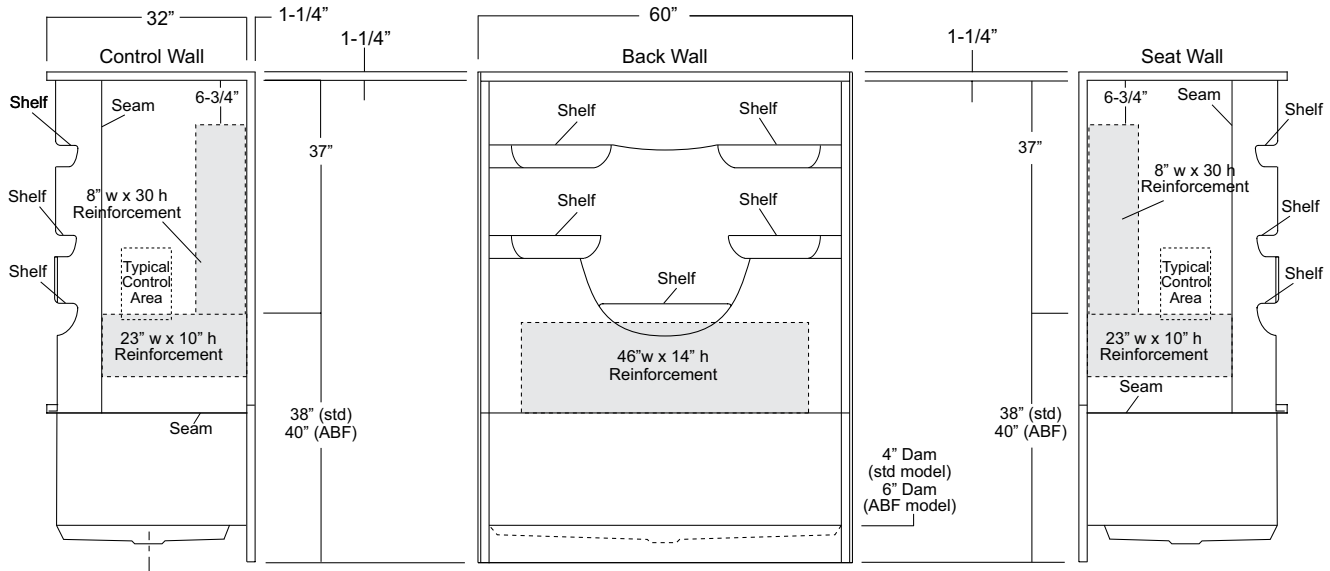
	Std Unit	ABF Unit
A	76-1/4"	78-1/4"
B	75"	77"
C	4"	6"
D	1"	3"
E	-	-
F	22"	24"



Package Order No.: FH (Fair Housing wall reinforcement)

Package Includes: Factory applied, HUD-FHA compliant (Fair Housing), structurally reinforced wall areas (as shown) for independent field application of bars.

NOTE: Factory installed stainless steel shower curtain rod available.



Package Order No.: BP1-60 (2-bar only package)

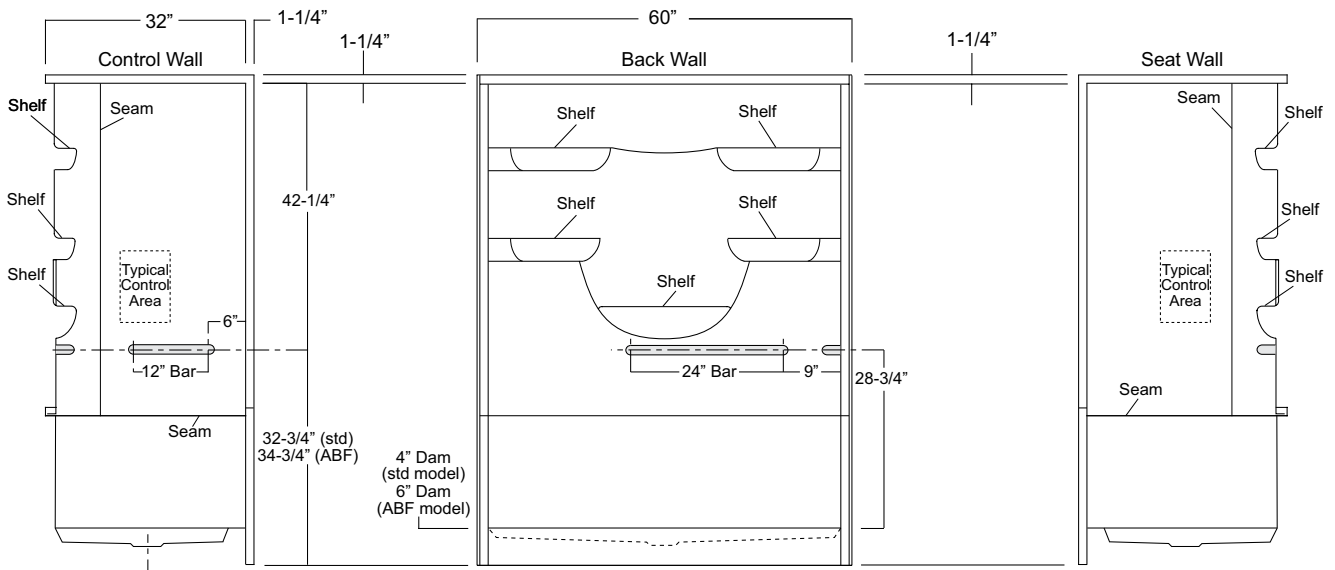
Upgrade Package No.: BP1-60 WHT (1-1/4\"/>

BP1-60 OFW (1-1/4\"/>

BP1-60 SNK (1-1/4\"/>

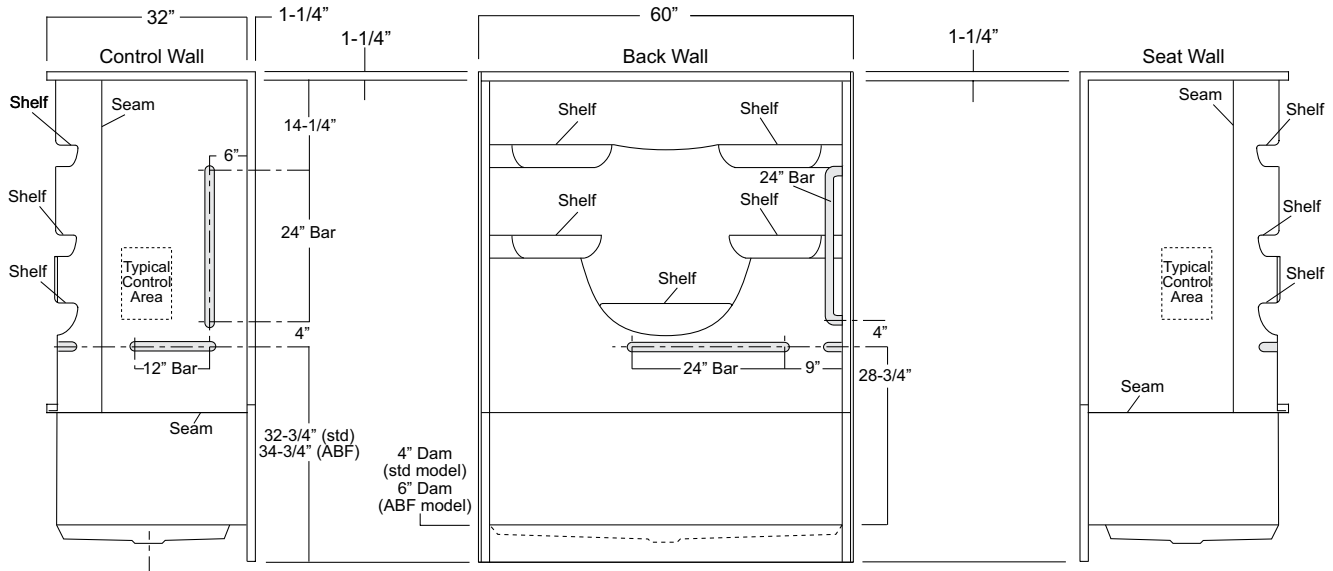
Package Includes: Factory installed, 1-1/2\"/>

NOTE: Positioning of factory installed components allow for the installation of a shower enclosure.



Package Order No.: BP2-60 (3-bar only package)
Upgrade Package No.: BP2-60 WHT (1-1/4" dia., white powder coat, 3-bar only package)
 BP2-60 OFW (1-1/4" dia., off-white powder coat, 3-bar only package)
 BP2-60 SNK (1-1/4" dia., satin nickel, 3-bar only package)

Package Includes: Factory installed, 1-1/2" dia. stainless steel, 3-bar package with basic reinforcement for components (as shown).
 NOTE: Positioning of factory installed components allow for the installation of a shower enclosure



Photographic images may include optional components and appear different than actual product.
 Dimensions shown are maximum. Due to the nature of the materials involved, actual unit dimensions can vary (tolerances: +/- 1/8 inch)
 Oasis reserves the right to modify or discontinue product and/or associated equipment without prior written or verbal notification or obligation.