

MINIMAL DAM (MD) SHOWER BASE

Oasis

SB-MD-6236



Home Innovation
LAB CERTIFIED™



Rough-In Dim.: 62" wide x 36" deep x 5-1/4" high

Finished Dim.: 62" wide x 36" deep x 4" high

Unit Features

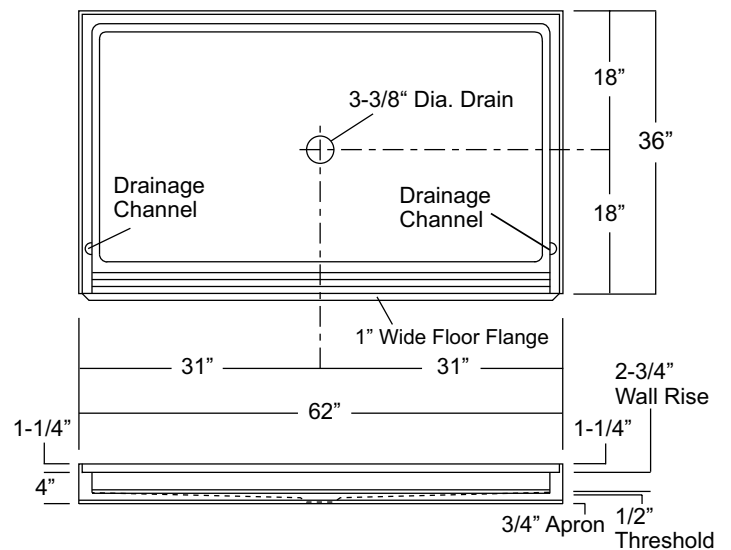
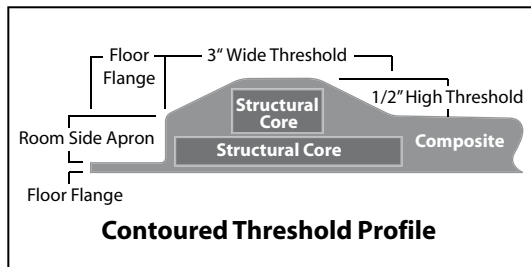
- Sanitary Grade Polyester Gelcoat Surface
- 3-3/8" Center Drain
- Integral Tile Flange
- Dual / Ledge Drain Channels
- 1/2" Threshold Aids In Keeping Water Within Unit
- Contoured Threshold To Aid Entry And Exit
- 1" Floor Flange To Secure Unit Along Threshold
- Balsa Wood Core Floor Structure
- Textured Floor Pattern

Special Notes

- Individually Packaged In Cartons
- When properly installed this base will meet the necessary requirements of 2010 ADA Accessible Design and ICC/ANSI A117.1 Standards.

Unit Order Numbers

Gelcoat: SB-MD-6236



NOTE: Critical enclosure dimensions should be taken directly from the installed shower base with finished wall surround.

Photographic images may include optional components and appear different than actual product.
Dimensions shown are maximum. Due to the nature of the materials involved, actual unit dimensions can vary (tolerances: +/-1/8 inch)
Oasis reserves the right to modify or discontinue product and/or associated equipment without prior written or verbal notification or obligation.

SBMD6236.01.120120