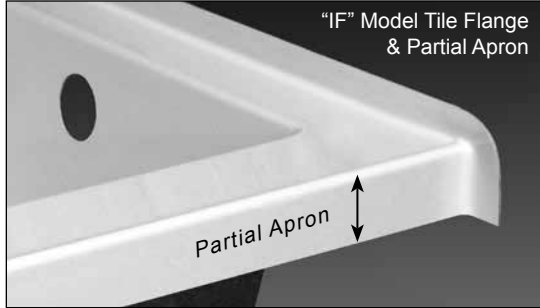


PURITY SERIES BATH

Oasis



Home Innovation
LAB CERTIFIED™



"IF" Model Tile Flange & Partial Apron

Partial Apron



"S" Model w/ Full Apron

60-INCH WIDE MODELS

MB-S-6036 (Tile Flange, Full Apron)

MB-IF-6036 (Tile Flange, Partial Apron)

Rough-In Dimensions	MB-S-6036 MB-IF-6036	60" wide x 37-1/4" deep x 19-1/2" high (std model)
---------------------	-------------------------	--

Finished Dimensions	MB-S-6036 MB-IF-6036	60" wide x 36" deep x 18-1/4" high (std model)
---------------------	-------------------------	--

Unit Features

- Sanitary Grade Polyester Gelcoat Surface
- 2" Dia. RH or LH Drain (see reverse side for location)
- 2-1/2" Dia. Overflow (see reverse side for location)
- "S" Model: Integral Tile Flange & Full Apron
- "IF" Model: Integral Tile Flange & Partial Apron
- Extra Deep Bathing Sump
- Pre-Leveled Block Base System
- Balsa Wood Core Floor Structure
- Textured Floor Pattern

Special Notes

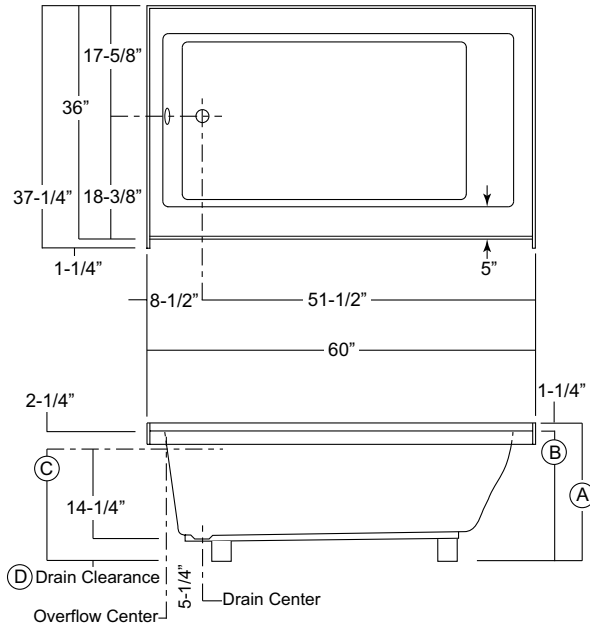
- Optional ABF Model (provides 3-1/2-inches of drain clearance)
- Hydrotherapy Systems Coming Soon

Unit / System Order Number

Gelcoat: MB-S-6036 R/L (soaking tub)
MB-S-6036 R/L ABF (soaking tub)

Unit / System Order Number

Gelcoat: MB-IF-6036 R/L (soaking tub)
MB-IF-6036 R/L ABF (soaking tub)



	Std Unit	ABF Unit
A	19-1/2"	21-1/4"
B	18-1/4"	20"
C	16"	17-3/4"
D	1-3/4"	3-1/2"
E	-	-
F	-	-

MB-IF-6036 ABF (illustrated)

Sump Dimen: 44-1/2" long x 24-3/4" wide x 15-1/2" deep (middle)

Sump Capacity: 60 gal. (unoccupied - to overflow)

Whirlpool Operating: NA