

VURSA *kd* SERIES
TUB / SHOWER

Oasis®

TS4P-6030R / BP1-60 shown



MULTI-PIECE MODEL

TS4P-6030 (4-piece)

Rough-In Dimensions

60" wide x 31-1/4" deep x 77" high (w/ 16-inch apron)

Finished Dimensions

60" wide x 30" deep x 75-3/4" high (w/ 16-inch apron)

Unit Features



- Four - Piece Fiberglass Composite Construction
- Sanitary Grade Polyester Gelcoat Surface
- Front-Side Installation With Minimal Sealant Requirements
- 2" Dia. End Drain
- 2-1/2" Dia. Overflow
- Apron Drip Ledge Minimizes Water Migration
- Generous, Multi-Level Back Wall Shelving
- Wall Design Accommodates Grab Bar Applications
- Textured Floor Pattern
- 1/2-inch Balsa Wood Core Floor Structure

Special Notes

- Optional ABF Model (provides 3-inches of drain clearance)
- UL Listed Whirlpool System Available
- 'QwikClic' Technology
- Factory Applied Reinforcement Package Available
- Factory Applied Bar Configurations Available

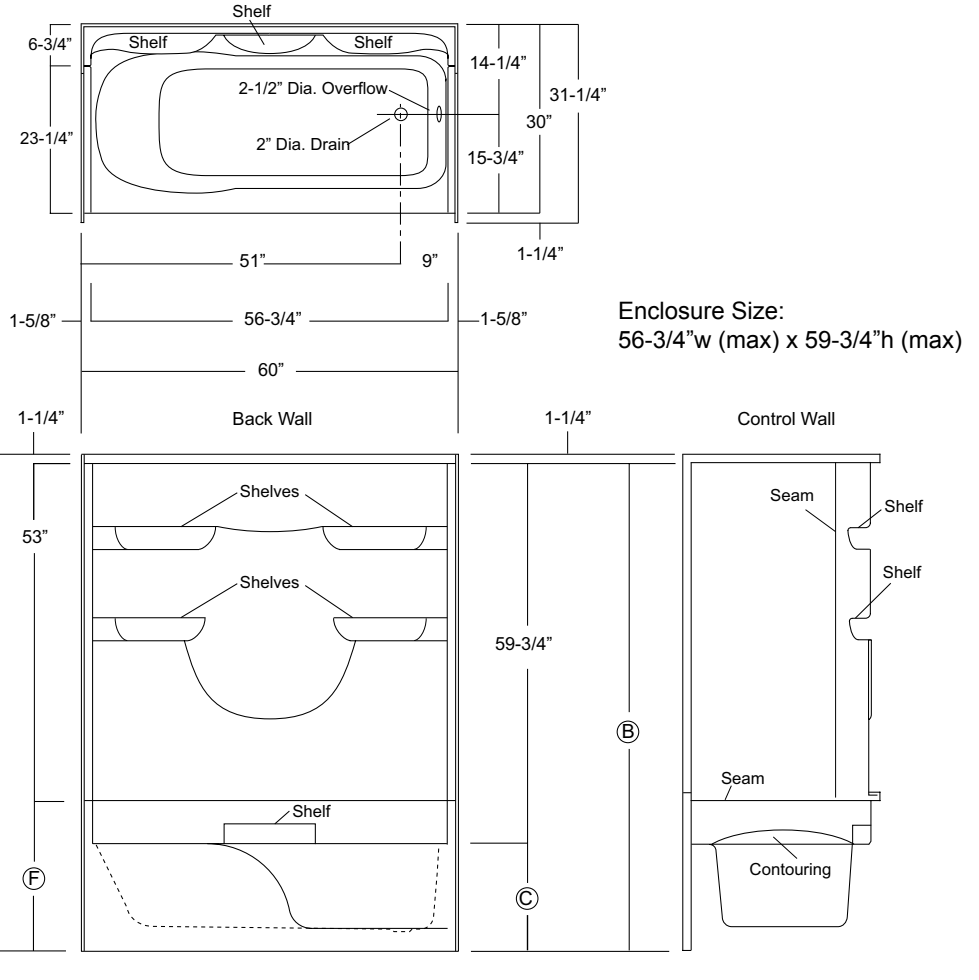
Order No.: TS4P-6030R (RH drain / 16" apron)
 TS4P-6030L (LH drain / 16" apron)

Order No.: TS4P-6030R ABF (RH drain / 17-1/4" apron)
 TS4P-6030L ABF (LH drain / 17-1/4" apron)

60" x 30", 4-piece gelcoated fiberglass tub/shower with 'QuikClic', front installation, 16" apron (1-3/4" drain clearance) multi-level back wall shelves, corner accessory ledge, contoured neck rest, and drain on end indicated.

TS4P-6030R ABF (illustrated)

	Std Unit	ABF Unit
A	77"	78-1/4"
B	75-3/4"	77"
C	16"	17-1/4"
D	1-3/4"	3"
E	13-3/4"	15"
F	22-3/4"	24"



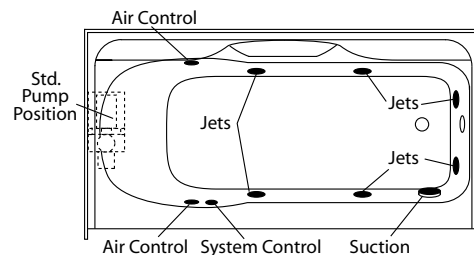
Package Order No.: 6P (Builder System)

Package includes: 6-Adjustable jets, twin air injection controls, pneumatic on/off control, and 5.50 amp pump/motor.

- Options:
- In-Line Heater (1*) (order: ILH)
 - Ozone Generator (1*) (order: OZG)
 - SS Shower Rod (1*) (order: ADD/SHWR ROD-TS)

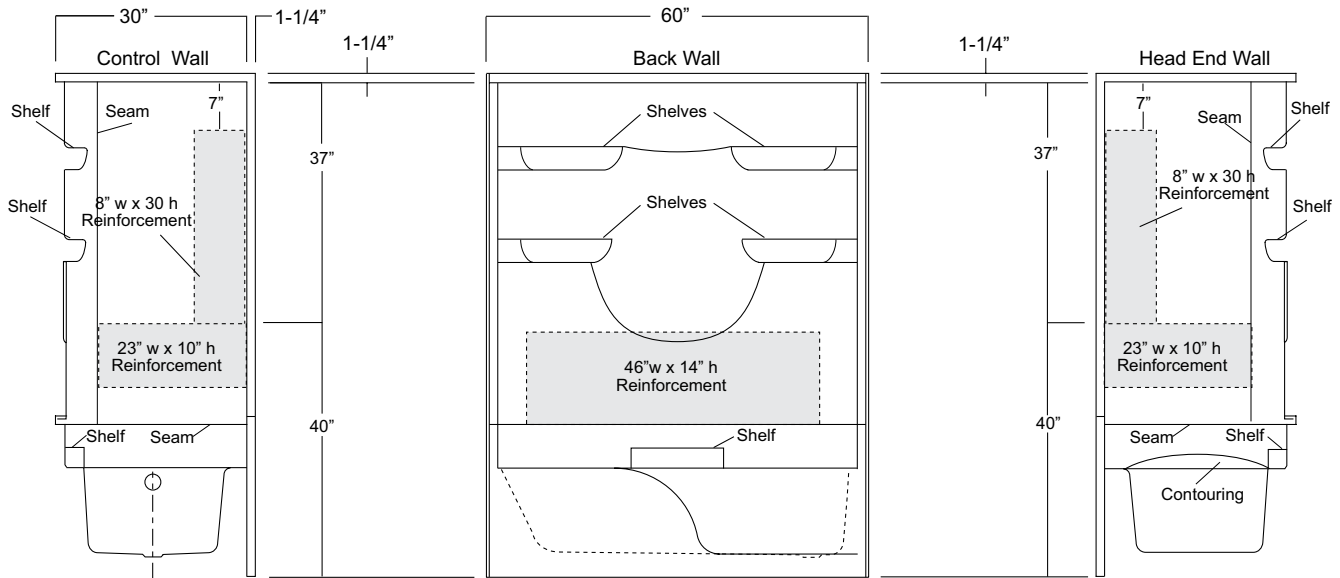
Notes: (1*) Factory installed options
 System available with component packages.

Sump Dimensions: 51" long x 20" wide x 13-1/4" deep
 Sump Capacity: 40 gal. (unoccupied - to overflow)
 Whirlpool Operating: 34 gal.



Package Order No.: FH (Fair Housing wall reinforcement)

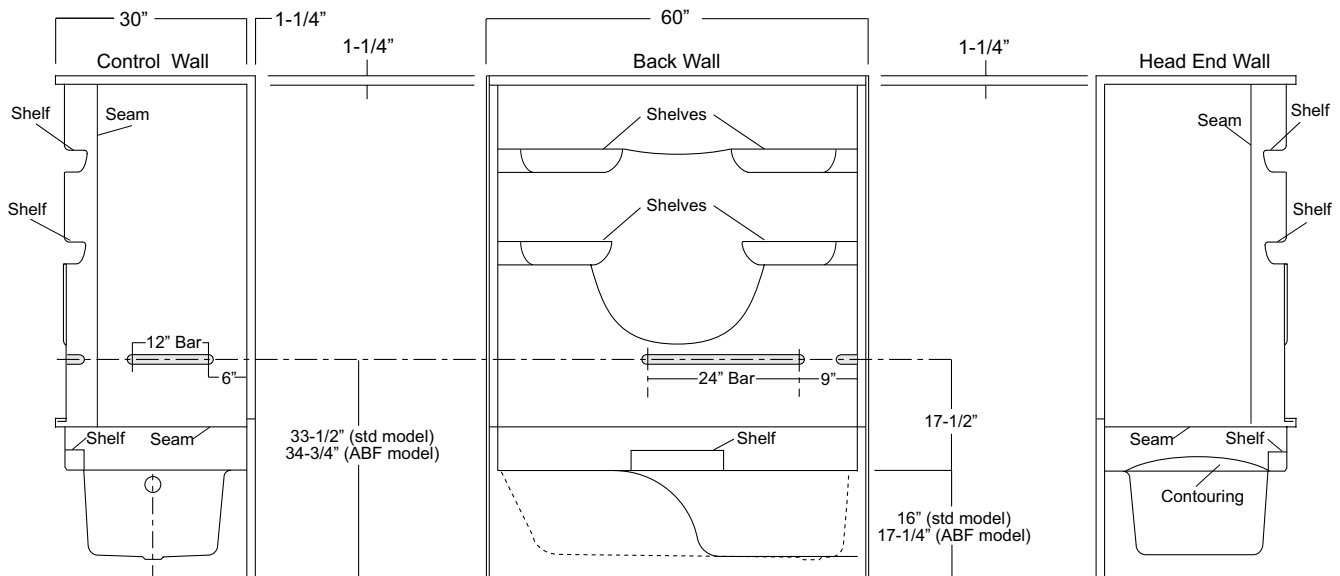
Package Includes: Factory applied, HUD-FHA compliant (Fair Housing), structurally reinforced wall areas (as shown) for independent field application of bars.



Package Order No.: BP1-60 (2-bar only package)

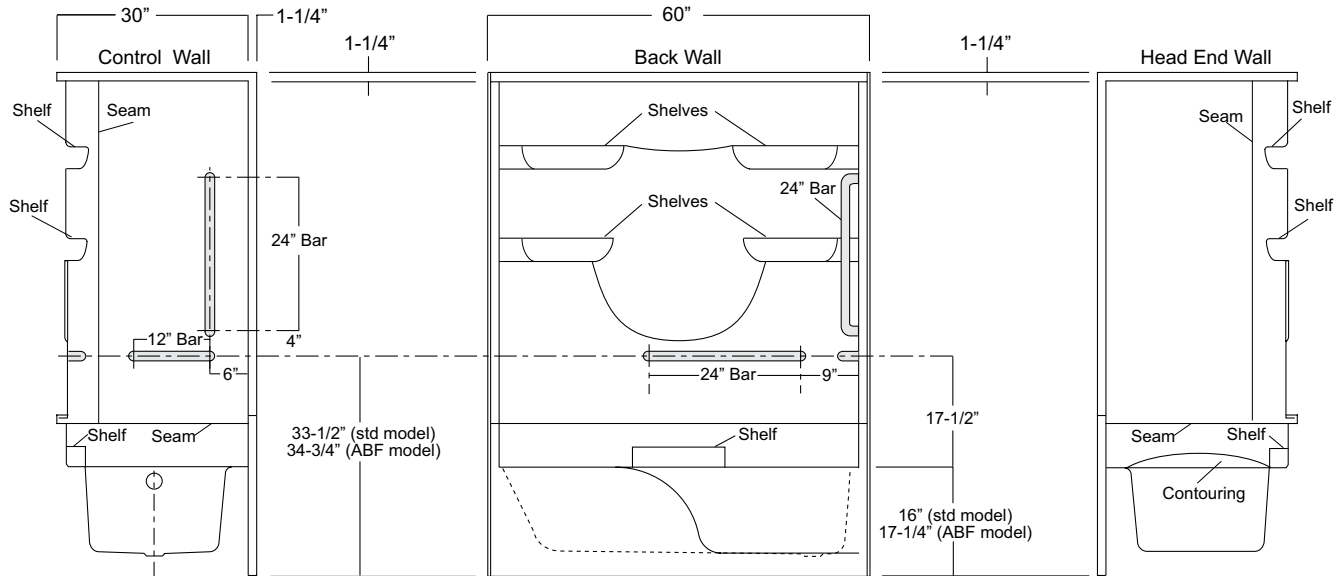
- Upgrade Package No.: BP1-60 WHT (1-1/4" dia., white powder coat, 2-bar only package)**
- BP1-60 OFW (1-1/4" dia., off-white powder coat, 2-bar only package)**
- BP1-60 SNK (1-1/4" dia., satin nickel, 2-bar only package)**

Package Includes: Factory installed, 1-1/2" dia. stainless steel, 2-bar package with basic reinforcement for components (as shown).
 NOTES: Positioning of factory installed components allow for the installation of a shower enclosure.



Package Order No.: BP2-60 (3-bar only package)
Upgrade Package No.: BP2-60 WHT (1-1/4" dia., white powder coat, 3-bar only package)
 BP2-60 OFW (1-1/4" dia., off-white powder coat, 3-bar only package)
 BP2-60 SNK (1-1/4" dia., satin nickel, 3-bar only package)

Package Includes: Factory installed, 1-1/2" dia. stainless steel, 3-bar package with basic reinforcement for components (as shown).
 NOTES: Positioning of factory installed components allow for the installation of a shower enclosure.



Photographic images may include optional components and appear different than actual product.
 Dimensions shown are maximum. Due to the nature of the materials involved, actual unit dimensions can vary (tolerances: +/-1/8 inch)
 Oasis reserves the right to modify or discontinue product and/or associated equipment without prior written or verbal notification or obligation.