



# SD5135

PVC SHOWER DRAIN - FOR USE WITH MOLDED BASE

Project Name: \_\_\_\_\_

Project Number: \_\_\_\_\_

Fixture #

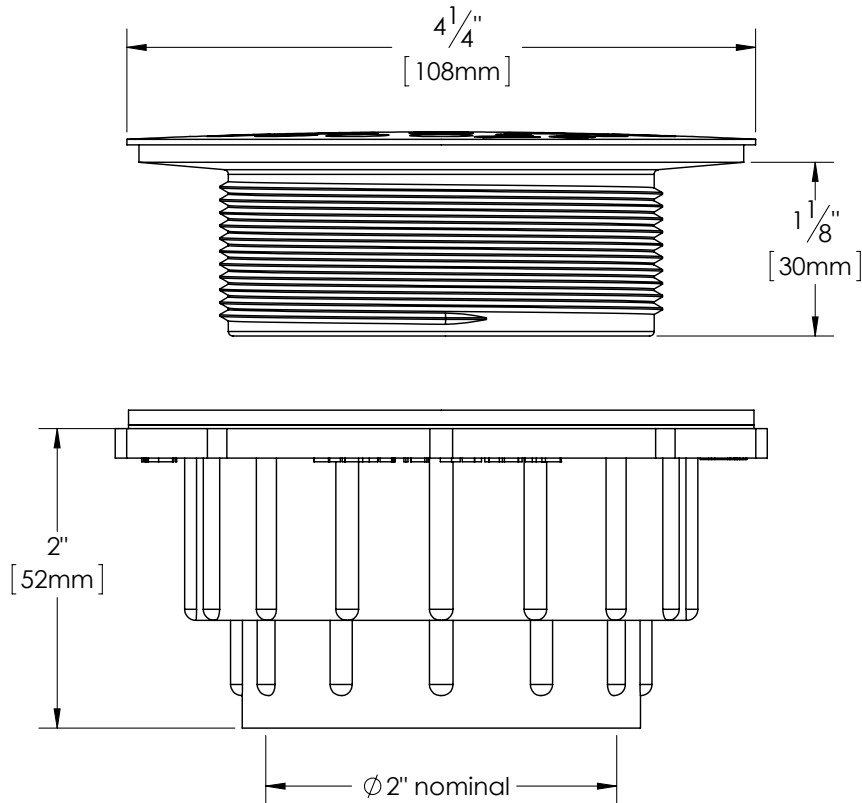
## Description:

SHOWER DRAIN SHALL BE 2" PVC FOR MOLDED SHOWER BASES, ROUND STAINLESS STEEL GRATE, CERTIFIED BY CSA

### Certification



\*The "cSAus Meets UPC" mark means the product conforms to the requirements of the NPC, UPC, IPC and IRC.



### Oakville Stamping and Bending Ltd.

2200 Speers Road, Unit C. Oakville, ON. Canada. L6L 2X8.

T. 905.827.0320 or toll free 1.877.314.6040 F. 905.827.6375 or toll free 1.877.827.6040.

All rights reserved. OS&B™ reserves the right to change product specifications and material or discontinue models without notice.

[www.osb.ca](http://www.osb.ca) (Canada) [www.osbplumbing.com](http://www.osbplumbing.com) (USA)