

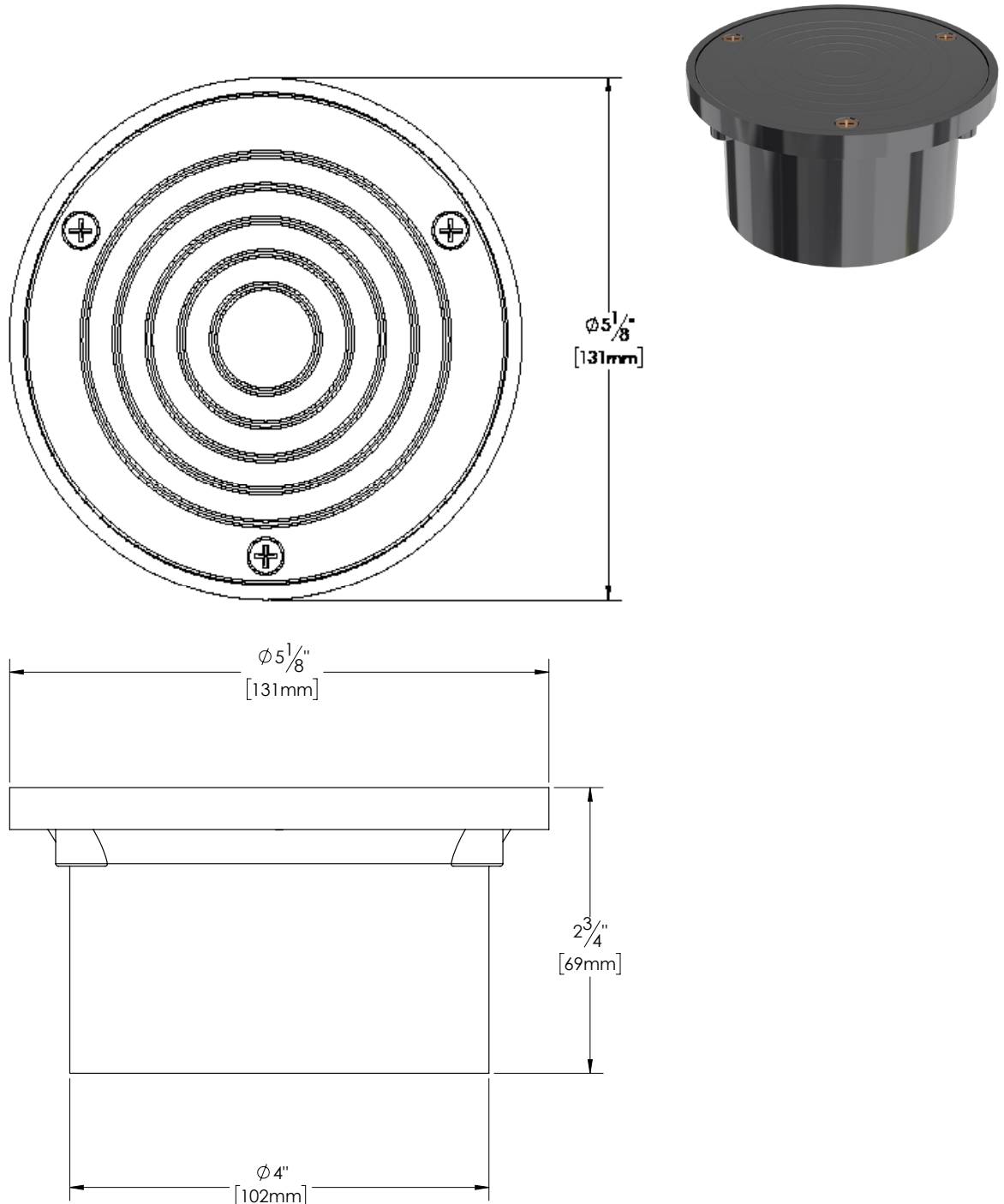


# FD 3/CO

3" ABS FLOOR CLEAN OUT

## Description:

FLOOR CLEANOUT SHALL BE 3" (CEMENTS OVER 3" ABS/DWV PIPE) ABS BODY, ROUND 5" DIAMETER EPOXY DUCTILE IRON CLEANOUT COVER



### Oakville Stamping and Bending Ltd.

2200 Speers Road, Unit C. Oakville, ON. Canada. L6L 2X8.

T. 905.827.0320 or toll free 1.877.314.6040 F. 905.827.6375 or toll free 1.877.827.6040.

All rights reserved. OS&B™ reserves the right to change product specifications and material or discontinue models without notice.

[www.osb.ca](http://www.osb.ca) (Canada) [www.osbplumbing.com](http://www.osbplumbing.com) (USA)