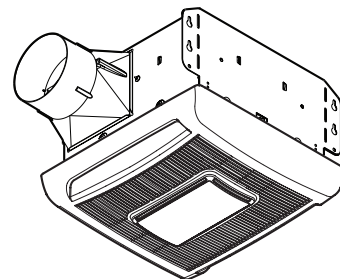


# MODELS AN80L, AN110L FLEX™ SERIES FAN / LIGHTS



### DESCRIPTION

#### BLOWER:

- Plug-in, permanently lubricated motor - engineered for continuous operation
- Dynamically balanced centrifugal blower wheel for quiet, efficient performance
- Low RPM for quiet operation

#### HOUSING:

- Rugged, 26 gauge, galvanized steel construction
- Polymeric, 4" duct connector with tapered sleeve and no metallic clatter
- 5-3/4" height allows for 2" x 6" ceiling installations
- Sturdy, easy, four-point mounting directly to joist
- Can be mounted in ceilings up to 7/12 pitch

#### GRILLE:

- Polymeric construction
- Innovative design - the result of extensive research with designers and consumers
- 100W max. incandescent A19 type bulb or energy efficient equivalent bulb with Maximum Overall Length (M.O.L.) of 4.4" or less (bulb not included)
- Durable steel reflector with white enamel finish

#### CONTROLS (Purchase separately):

- Refer to NuTone's catalog for a complete line of accessories to effectively adapt these fans to your construction requirements.

U.L. Listed for use over bathtubs and showers when connected to a GFCI protected branch circuit (ceiling mount only).

U.L. Listed for use in insulated ceilings (TYPE I.C.)

3-Year Warranty

### TYPICAL SPECIFICATION

Fan / Light shall be NuTone Model AN80L (AN110L).

Fan / Light shall have corrosion resistant galvanized steel housing with four-point mounting capability. It shall be ducted to a roof or wall cap using 4" round ductwork.

Blower assembly shall be removable, have a centrifugal-type blower wheel and a permanently lubricated motor designed for continuous operation.

Non-metallic damper/duct connector shall be included.

Bulb shall be 100W max. A19 type incandescent or energy efficient equivalent bulb with Maximum Overall Length (M.O.L.) of 4.4" or less (bulbs not included).

Air delivery shall be no less than the airflow values and no greater than the sound level values listed in the HVI Performance Specifications provided in this specification (see following chart). All air and sound ratings shall be certified by HVI.

Ceiling Ventilator shall be U.L. Listed for use in insulated ceilings (Type I.C.) and for use over bathtubs and showers when connected to a GFCI protected branch circuit.



Broan-NuTone LLC Hartford, Wisconsin www.nutone.com 888-336-3948

REFERENCE	QTY.	REMARKS	Project
			Location
			Architect
			Engineer
			Contractor
			Submitted by <span style="float: right;">Date</span>

# PERFORMANCE RATINGS

## FLEX™ SERIES FAN / LIGHTS

### HVI PERFORMANCE

Model	0.1 Ps - Static Pressure (in H2O)			0.25 Ps
	Airflow (CFM)	Sound (Sones)	Power (Watts)	Airflow (CFM)
AN80L	80	1.0	42.3	68
AN110L	110	1.3	23.4	92



HVI-2100 CERTIFIED RATINGS comply with new testing technologies and procedures prescribed by the Home Ventilating Institute, for off-the-shelf products, as they are available to consumers. Product performance is rated at 0.1 in. static pressure, based on tests conducted in a state-of-the-art test laboratory. Sones are a measure of humanly-perceived loudness, based on laboratory measurements.

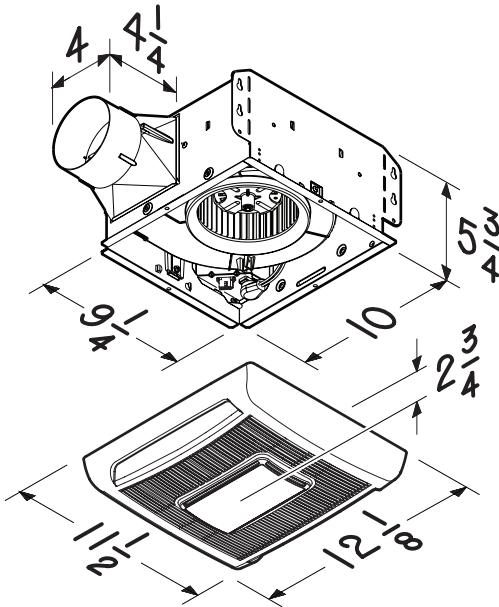
### ELECTRICAL & WEIGHT

Model	Volts	Hz	Amps*	Shipping Weight
AN80L	120	60	1.2	10.0
AN110L	120	60	1.2	10.0

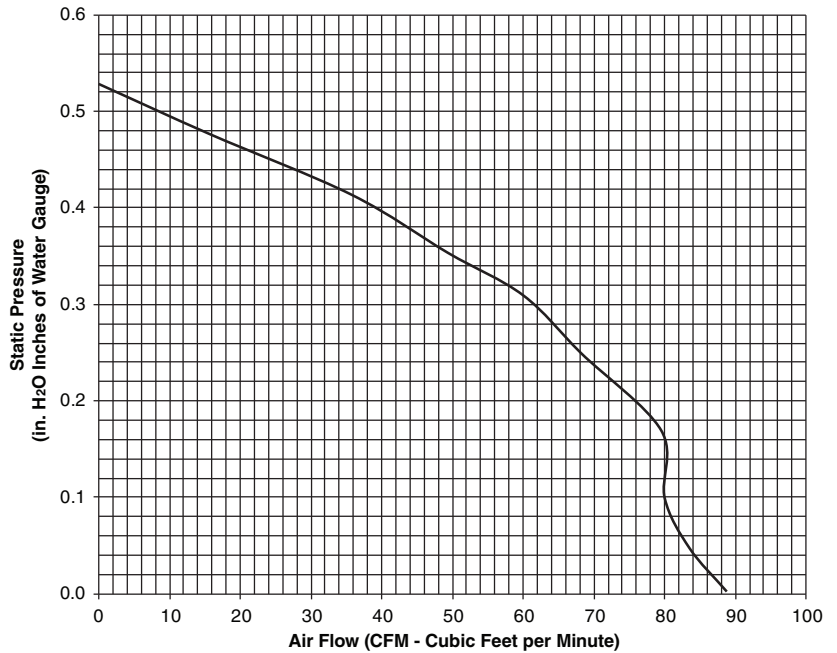
\* Total connected load.



### AIR FLOW PERFORMANCE



Model AN80L



Model AN110L

