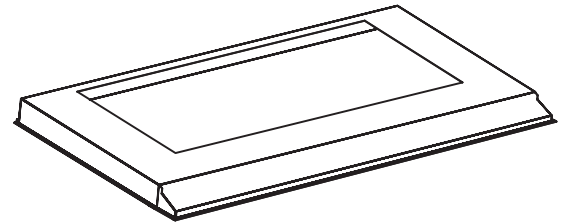


# RML SERIES LINERS



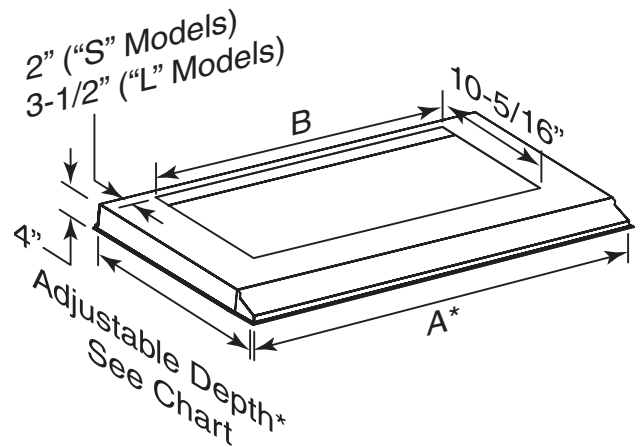
Especially designed to protect the exterior base of a custom hood.

### FEATURES

- Cabinet mount – custom application
- Stainless Steel Finish
- Adjustable depth to fit into cabinet openings as shown on chart (front to back)
- Fit custom hood nominal widths: 30", 36" or 48" (30" only for RML5230S)
- Wipes clean easily

### TO ORDER

Refer to table below to find the right liner part number for your insert and for width of the custom hood.



\* Dimension does not include 3/8" wide flange.

### DIMENSIONS

Liner Model	Insert Model	Custom Hood Nominal Width	Adjustable Depth* Fits into cabinet openings of		Width A*	Cut-out Width B
			Without Backboard	With Backboard		
RML5230S	PM500SS	30"	17-1/2" to 20-1/2"	17-1/8" to 20-1/8"	28-3/8"	19-9/16"
RML5236S	PM500SS	36"	17-1/2" to 20-1/2"	17-1/8" to 20-1/8"	34-3/8"	19-9/16"
RML5236L	PM500SS	36"	20-1/2" to 23-1/2"	20-1/8" to 23-1/8"	34-3/8"	19-9/16"
RML7030S	RMP1 or RMPE	30"	17-1/2" to 20-1/2"	17-1/8" to 20-1/8"	28-3/8"	26-11/16"
RML7036S	RMP1 or RMPE	36"	17-1/2" to 20-1/2"	17-1/8" to 20-1/8"	34-3/8"	26-11/16"
RML7048S	RMP1 or RMPE	48"	17-1/2" to 20-1/2"	17-1/8" to 20-1/8"	46-3/8"	26-11/16"
RML7030L	RMP1 or RMPE	30"	20-1/2" to 23-1/2"	20-1/8" to 23-1/8"	28-3/8"	26-11/16"
RML7036L	RMP1 or RMPE	36"	20-1/2" to 23-1/2"	20-1/8" to 23-1/8"	34-3/8"	26-11/16"
RML7048L	RMP1 or RMPE	48"	20-1/2" to 23-1/2"	20-1/8" to 23-1/8"	46-3/8"	26-11/16"

The INSIDE DEPTH shown in the table above assumes a minimum cabinet backboard thickness of 3/8"

Broan-NuTone LLC Hartford, Wisconsin www.broan.com 800-558-1711  
Broan-NuTone Canada ULC Mississauga, Ontario www.broan.ca 877-896-1119

REFERENCE	QTY.	REMARKS	Project	
			Location	
			Architect	
			Engineer	
			Contractor	
			Submitted by	Date