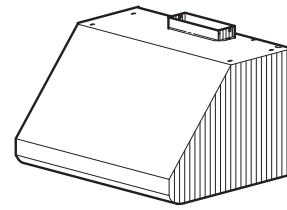


### E60 SERIES PRO-STYLE RANGE HOOD



For domestic cooking only.

Styling is fresh and modern, yet designed to easily complement popular pro-style, high performance cooking products.

A complete installation requires several optional components. Refer to page 2 when planning your installation.

#### FEATURES

##### HOOD:

- Widths - 30" to 48" in 6" increments
- Stainless steel, 22 gauge, type 430, no. 4 brush
- Stainless steel baffle filters with handles - easily accessible, dishwasher safe
- 2-level cooktop lighting (30" & 36" wide hoods = 2 lamps, 42" & 48" wide hoods = 3 lamps. Uses 50W, GU10 halogen lamps. Bulbs not included.)
- Solid-State, infinite speed blower control with speed memory
- Exclusive, Broan Heat Sentry™ turns blower ON to HIGH speed when excess heat is detected
- 3¼" x 10" ducting - single blower (600 cfm)
- 4½" x 18½" ducting - dual blower (1200 cfm)
- Compatible with Broan Automatic Make-up Air Dampers - MD6T (6" duct), MD8T (8" duct)
- For indoor use only.

##### NON-DUCTED RECIRCULATING KIT:

###### ANKE60 Series (Optional)

- Stainless steel, 22 gauge, type 430, no. 4 brush
- Available for hood widths up to 48"
- Charcoal filters included
- Replacement charcoal filters:
  - Service Part no. SV08343 - round filter retail pack

##### BACKSPLASH:

###### RMP Series (Optional)

- Widths - 30" to 48" in 6" increments
- Stainless steel, 22 gauge, type 430, no. 4 brush - protects back wall and wipes clean easily
- Two, removable, dual-position condiment storage shelves

##### SOFFIT CHIMNEY:

###### AEE Series (Optional)

- Widths - 30" to 48" in 6" increments
- Stainless steel, 22 gauge, type 430, no. 4 brush
- Recommended for use when installation location has no soffit

##### SPECIFICATION:

###### Single Blower

- Max. blower CFM\*: 650
- 120 VAC, 60 Hz, 5.5 Amps
- 600 cfm, sound level no greater than 13.5 sones (high speed, vert. & horiz. discharge)
- See last page for HVI performance data

###### Dual Blower

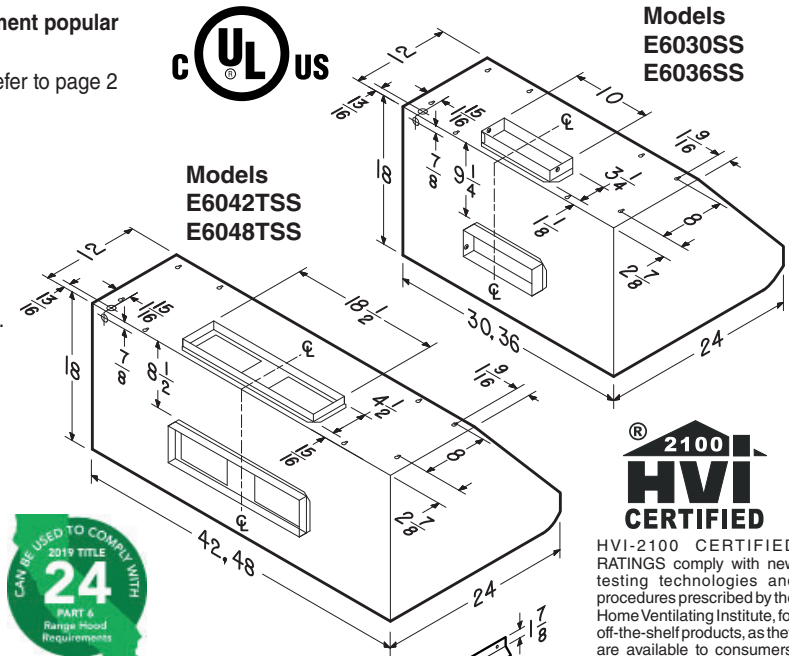
- Max. blower CFM\*: 1290
- 120 VAC, 60 Hz, 9.0 Amps
- 1200 cfm, sound level no greater than 14.5 sones (high speed, vert. & horiz. discharge)
- See last page for HVI performance data

Broan-NuTone LLC Hartford, Wisconsin www.broan-nutone.com 800-558-1711



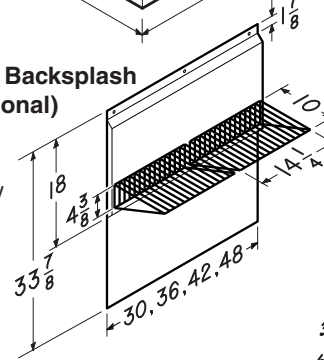
Models  
E6030SS  
E6036SS

Models  
E6042TSS  
E6048TSS

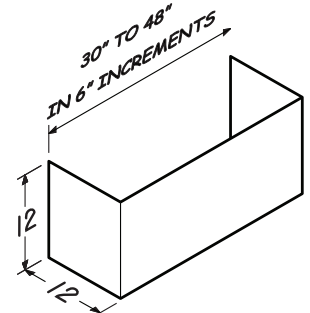


HVI-2100 CERTIFIED RATINGS comply with new testing technologies and procedures prescribed by the Home Ventilating Institute, for off-the-shelf products, as they are available to consumers. Product performance is rated at 0.1 in. static pressure, based on tests conducted in a state-of-the-art test laboratory. Sones are a measure of humanly-perceived loudness, based on laboratory measurements. \* Max. blower CFM indicates the performance of the hood blower in open air.

##### RMP Series Backsplash (Optional)

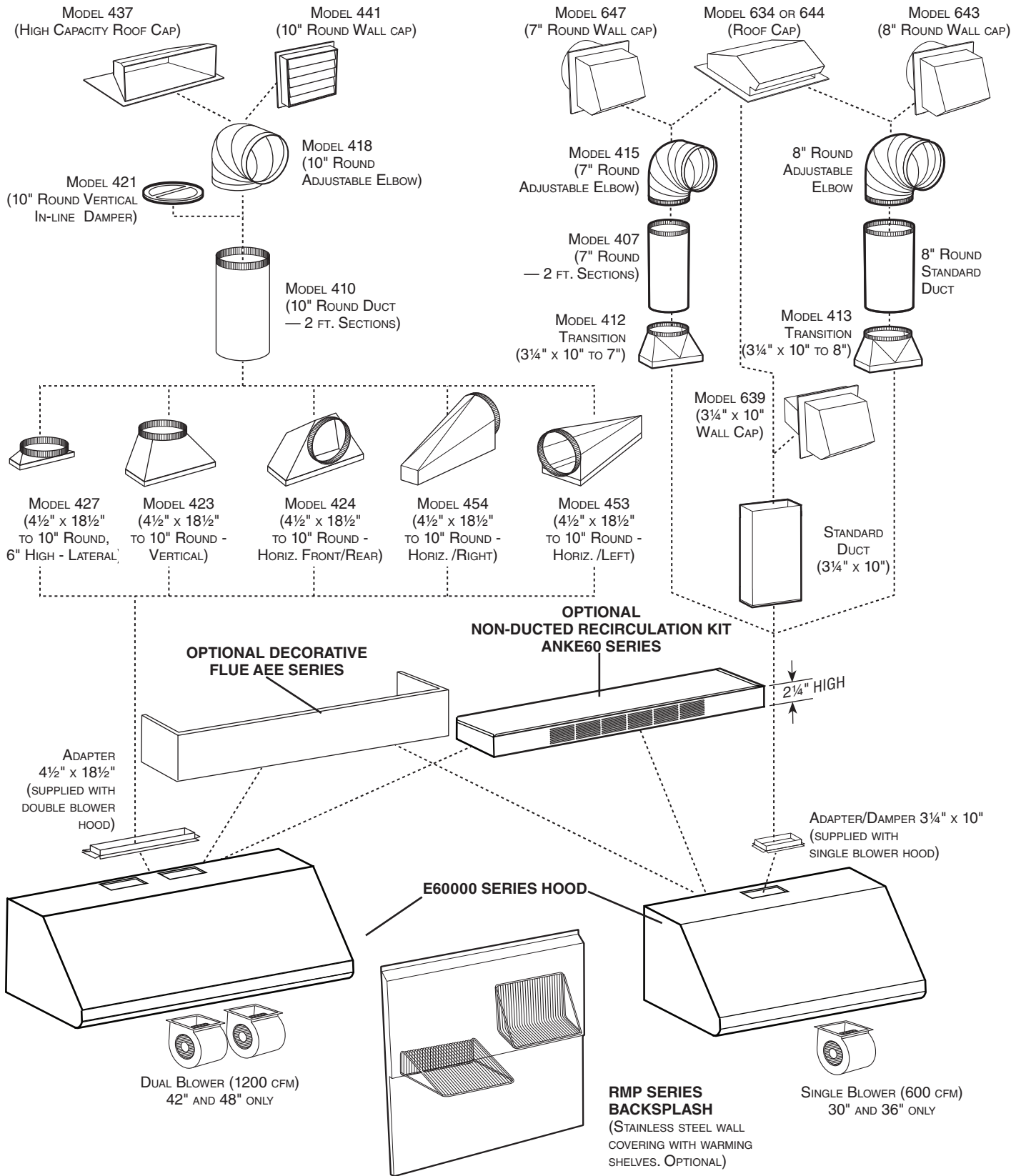


##### AEE Series Soffit Chimney (Optional)



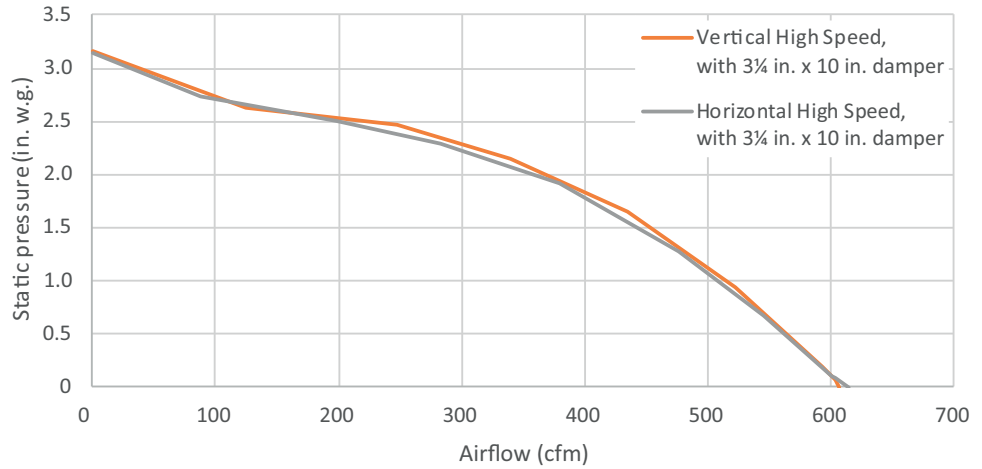
| REFERENCE | QTY. | REMARKS | Project      |
|-----------|------|---------|--------------|
|           |      |         | Location     |
|           |      |         | Architect    |
|           |      |         | Engineer     |
|           |      |         | Contractor   |
|           |      |         | Submitted By |
|           |      |         | Date         |

# E60 SERIES RANGE HOOD SYSTEM INTERNAL BLOWERS



# E60 SERIES PERFORMANCES

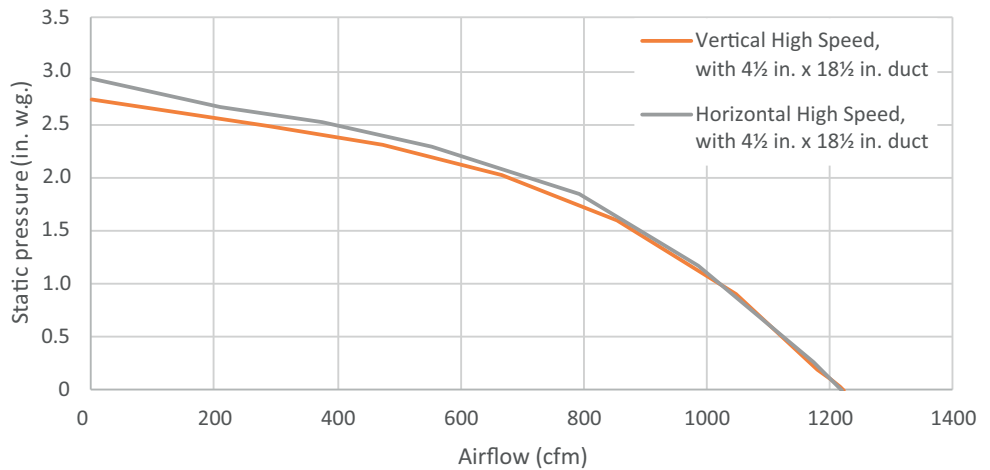
Models  
E6030SS  
E6036SS



## HVI PERFORMANCE

| Duct Orientation         | Size               | Damper   | Sones  |      | CFM    |                    |                   |
|--------------------------|--------------------|----------|--------|------|--------|--------------------|-------------------|
|                          |                    |          | Normal | High | Normal | High 0.25 in. w.g. | High 0.1 in. w.g. |
| Vertical - Rectangular   | 3 1/4 in. x 10 in. | Included | 1.5    | 13.0 | 150    | 588                | 600               |
| Horizontal - Rectangular | 3 1/4 in. x 10 in. | Included | 1.5    | 13.5 | 150    | 585                | 600               |

Models  
E6042TSS  
E6048TSS



## HVI PERFORMANCE

| Duct Orientation         | Size                   | Damper       | Sones  |      | CFM    |                    |                   |
|--------------------------|------------------------|--------------|--------|------|--------|--------------------|-------------------|
|                          |                        |              | Normal | High | Normal | High 0.25 in. w.g. | High 0.1 in. w.g. |
| Vertical - Rectangular   | 4 1/2 in. x 18 1/2 in. | Not included | 2.0    | 14.5 | 350    | 1169               | 1200              |
| Horizontal - Rectangular | 4 1/2 in. x 18 1/2 in. | Not included | 2.0    | 14.0 | 350    | 1176               | 1200              |