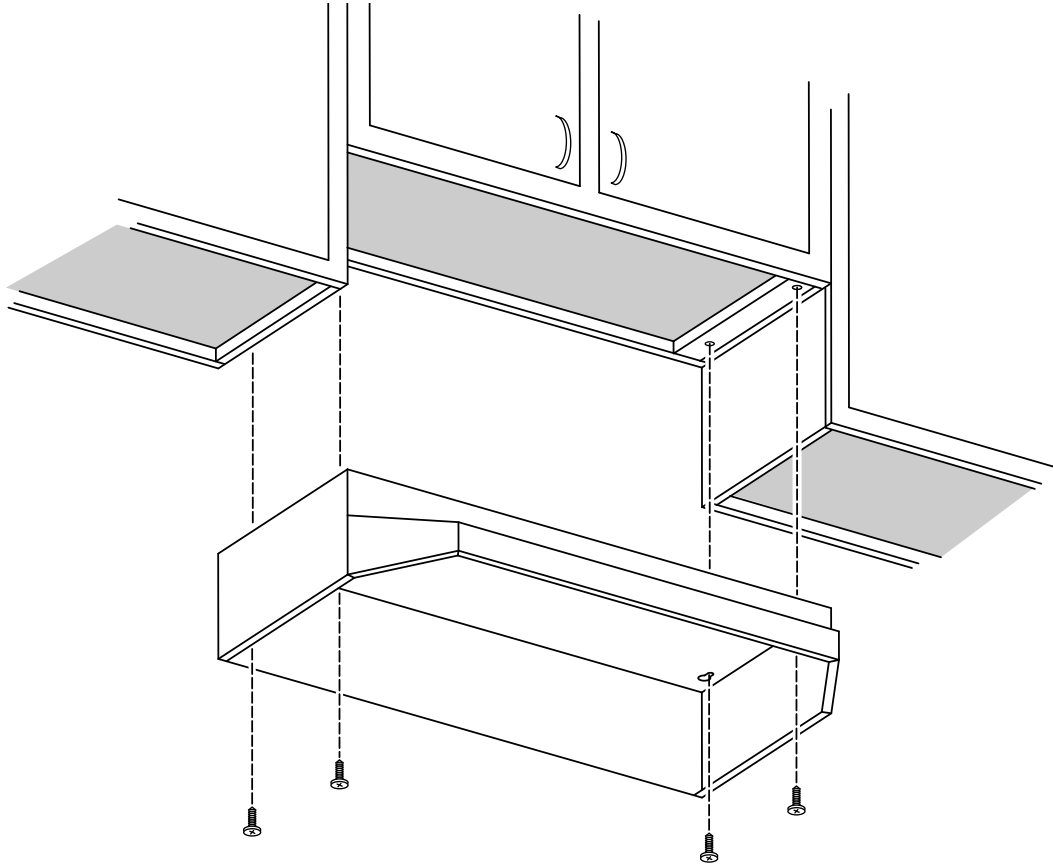


37000 SERIES RANGE HOOD SHELL

INSTALLATION INSTRUCTIONS

Mount hood shell to underside of cabinet. Use 4 mounting screws (included) through keyhole slots in top of hood shell.



USE AND CARE

CLEANING

Clean your hood with a mild detergent suitable for painted surfaces. **DO NOT USE ABRASIVE CLOTH, STEEL WOOL PADS OR SCOURING POWDERS.**

HOW TO AVOID A COMMON RANGE-TOP GREASE FIRE:

- Your range hood provides a protective barrier between the cooking surface and the cabinets.
- Keep grease laden surfaces **CLEAN** according to instructions.
- Use high heat settings only when necessary.
- Never leave cooking surface unattended. Boilover causes smoking and greasy spillovers that may ignite.
- Always use adequate-sized utensils.

HOW TO EXTINGUISH A COMMON RANGETOP GREASE FIRE:

- Never pick up a flaming pan. If dropped, flames can spread quickly.
- **DO NOT USE WATER!** A violent steam explosion may result. Wet dishcloths or towels are also dangerous.
- Smother flames with a close fitting lid, cookie sheet or metal tray.
- Flaming grease can also be extinguished with baking soda or a multi-purpose dry chemical extinguisher.
- Turn off surface units - if you can do so without getting burned.