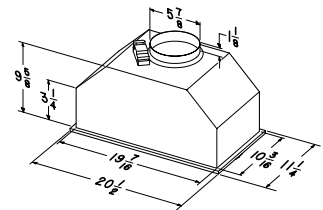




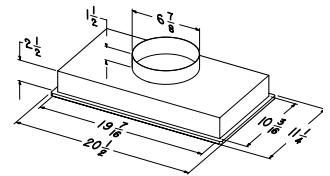
PM390



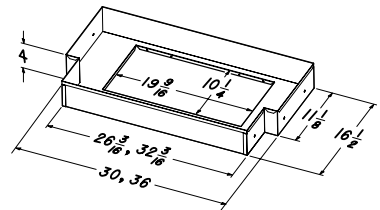
PM250



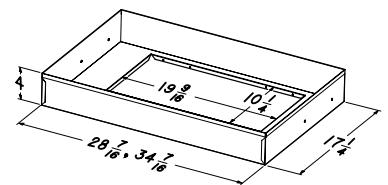
PM390



PM250



"T" liners



"B" liners

Dimensions shown are in inches.



## Broan PM390 & PM250 Series

This integrated unit provides the ventilation and lighting you need for your custom application.

- Silver painted finish.
- Dual 40-watt lamps (bulbs sold separately).
- Dishwasher-safe aluminum filter.
- For ducted installations, includes adapter and damper for 6" round duct (PM390 only).
- Works with optional custom hood liners in 30", 36", "B" or "T" design.

### LINERS for PM390 & PM250

Broan "T" and "B" liners provide an elegant way to finish a traditional wood hood and protect cabinetry. They feature a durable silver painted finish and a 4" depth for good capture. Hemmed edges hide exposed edges, and pre-drilled mounting holes make installation easy.

### SPECIFICATIONS

SERIES	WIDTH	SILVER	CONTROL	HEAT SENTRY™	CFM	SONES	DUCT
PM390	20 1/2"	PM390	Three speeds, slide control	✓	390	6.0	6" round
PM250	20 1/2"	PM250	Two speeds, rocker switch control		250	8.0	7" round**

### OPTIONS

B08999040	Replacement Charcoal Filter	LT30	Liner for 12" deep cabinet, 30" width
B08087922	Replacement Aluminum Filter	LT36	Liner for 12" deep cabinet, 36" width
356NDK*	Non-Ducted Kit for PM250	LB30	Liner for 18" deep cabinet, 30" width
357NDK*	Non-Ducted Kit for PM390	LB36	Liner for 18" deep cabinet, 36" width

BP87\*\*\* Back-draft damper (7" round)

\* Includes charcoal filter. Some duct work is required for non-ducted applications.

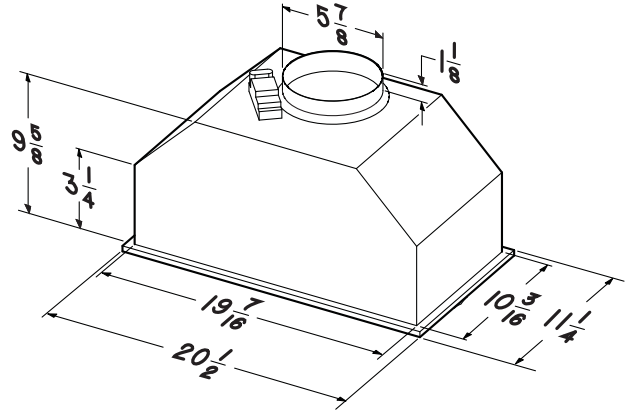
\*\* 7" round damper and adapter sold separately.

\*\*\* For PM250 only.

### SPECIFICATIONS

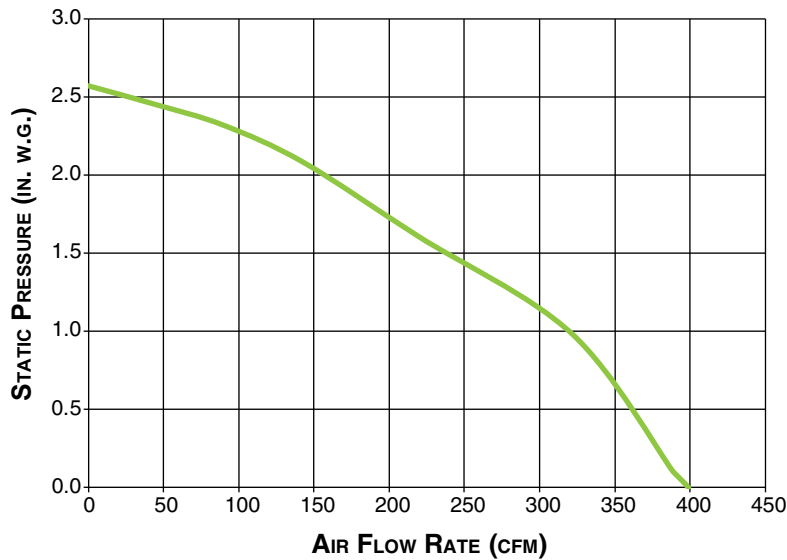
MODEL	PM390 SERIES
VOLTS	120 VAC
Hz	60
CFM	390
SONES	6.0
DUCTING SIZE	6" ROUND
2 INCANDESCENT BULBS	40 W, 120 V WITH CANDELABRA BASE
WARRANTY	1 YEAR

### DIMENSIONS



NOTE: DIMENSIONS SHOWN ARE IN INCHES.

### AIR FLOW PERFORMANCE



HVI-2100 CERTIFIED RATINGS comply with new testing technologies and procedures prescribed by the Home Ventilating Institute, for off-the-shelf products, as they are available to consumers. Product performance is rated at 0.1 in. (2.54 mm) static pressure, based on tests conducted in a state-of-the-art test laboratory. Sones are a measure of humanly-perceived loudness, based on laboratory measurements.



BROAN-NU TONE CANADA INC., MISSISSAUGA, ONTARIO [WWW.BROAN.CA](http://WWW.BROAN.CA) [WWW.NUTONE.CA](http://WWW.NUTONE.CA) 1-888-882-7626

PROJECT	REMARKS
LOCATION	
MODEL No.	
QTY.	
SUBMITTED BY	
DATE	