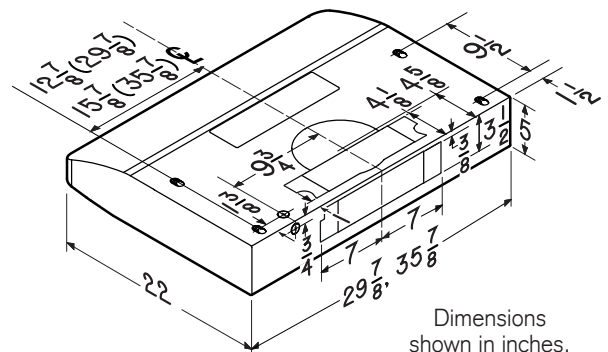


The sculpted lines of Alta™ bring an exciting, new choice to typical range hood shapes. Infrared controls and hybrid baffle filters lend a pro-style edge to your kitchen.

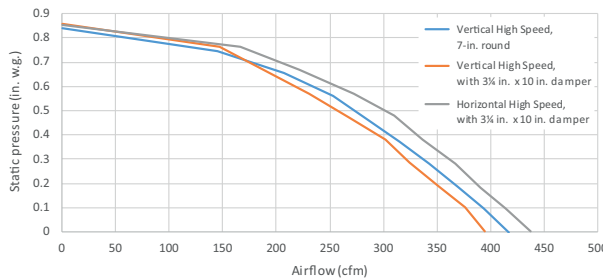
SIZE	STAINLESS	GREASE FILTERS (replacement)	NON-DUCTED FILTERS
30 in.	BQLA130SS	HPFA430 (Type "C5")	HPF30 (Type "Xc")
36 in.	BQLA136SS	HPFA436 (Type "D5")	HPF36 (Type "Xd")

PERFORMANCE								
Duct Orientation	Size	Damper	Sones			CFM		
			Normal	Medium	High	Normal	Medium	High
Vertical - Rectangular	3¼ in. x 10 in.	Included	0.5	2.5	6.0	150	260	390
Horizontal - Rectangular	3¼ in. x 10 in.	Included	0.6	2.0	5.5	150	270	400
Round - Vertical	7 in.	Sold Separately	0.4	2.0	5.5	150	260	390

FEATURES	
Control type	3-Speed Infrared
Delay off	yes
Filter Clean Reminder	yes
Heat Sentry™	yes
ADA Capable	yes
Lighting	3-level LED (included)
Grease Filters	Hybrid Baffle (Qty. 2)
Installation Hardware	EZ1 Bracket
ENERGY STAR®	no
Recirculation	Non-ducted filters sold separately
AC INPUT	
120V, 60 Hz - 1.4 AMPS	
OPTIONAL ACCESSORIES	
7-in. Round Damper	BP87Q
ADA Wiring Kit	HAWRK3
Make-up Air Damper	MD6TU, MD8TU, MD10TU
Remote Control	HCR3
MOUNTING HEIGHT	
18 in. to 30 in. from cooktop to bottom of hood	
LIMITED WARRANTY	
1-year	
3-year (LED modules only)	
<i>(See installation manual for full warranty text.)</i>	
FOR INDOOR USE ONLY	



Dimensions shown in inches.



HVI-2100 CERTIFIED RATINGS comply with new testing technologies and procedures prescribed by the Home Ventilating Institute, for off-the-shelf products, as they are available to consumers. Product performance is rated at 0.1 in. static pressure, based on tests conducted in AMCA's state-of-the-art test laboratory. Sones are a measure of humanly-perceived loudness, based on laboratory measurements.

