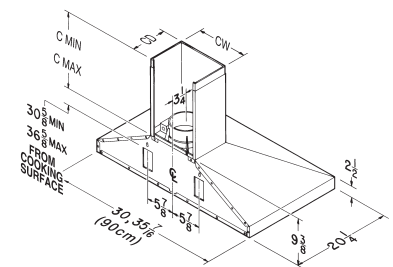




Broan Elite 61000 Series

With an enduring stainless steel design, the 61000 Series combines the flawless look of Italian style with easy-to-clean surfaces and performance that any gourmet would love.

- Beautiful stainless steel construction in a wall-mounted design.
- Seamless corners for easy cleaning.
- Concealed three-speed slide control.
- Includes two 20-watt halogen bulbs.
- Ducted/non-ducted telescopic flues fit 8' to 9' ceilings.
- Optional flue extension for 10' ceilings is also available.
- Easily removable, dishwasher-safe, stainless steel grease filters.
- Convertible for ducted or non-ducted operation (charcoal filter for non-ducted operation sold separately #ROUNDFILTER).
- The 619004EX model is designed to operate with all Broan Elite external blowers, providing a choice of four exterior models: 600, 900, 1200 or 1500 CFM or four in-line models: 280, 600, 800 or 1100 CFM (sold separately).
- Heat Sentry™ detects excessive heat and adjusts blower speed to high automatically.



Dimensions shown are in inches.

SPECIFICATIONS

WIDTH	STAINLESS STEEL	BLOWER	VOLTS	AMPS	CFM	SONES	DUCT
30"	613004	Internal	120	3.1	450	9.0	6" round
35 7/16"	619004	Internal	120	3.1	450	9.0	6" round
35 7/16"	619004EX	External	120	0.5*	**	**	8" round

OPTIONS

RFX6104	Flue Extension 10' (with Internal Blower)
RFX6104EX	Flue Extension 10' (with External Blower)
B08999736	Replacement Charcoal Filter
B08087163	Replacement Stainless Steel Grease Filter
ARP6***	Air flow reducer (limits the airflow of the hood under 300 CFM)

* Hood amps without blower. For total amps, combine hood and blower amps.

** External blowers sold separately.

*** 450 CFM hoods only.

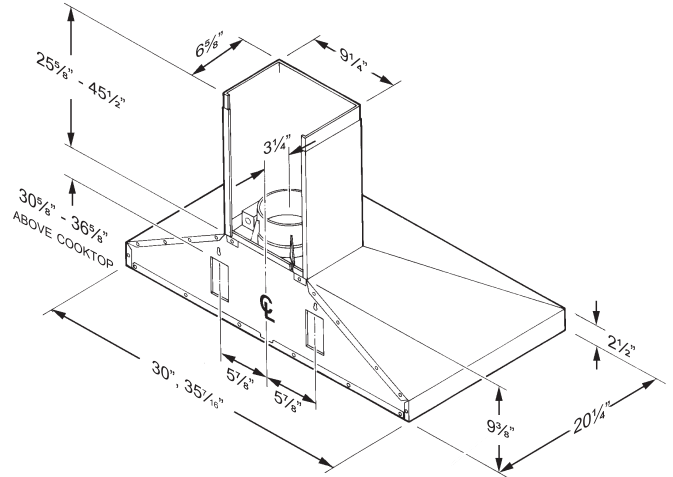


SPECIFICATIONS

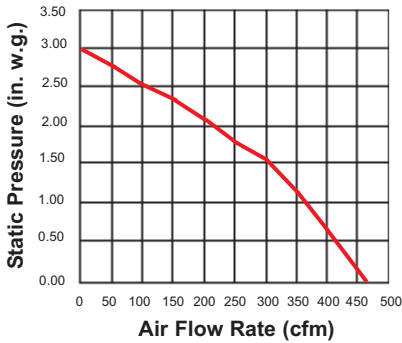
MODEL	61000 SERIES
VOLTS	120 VAC
HZ	60
AMPS	3.1
CFM	450*
SONES	9.0
BLOWER	INTERNAL
DUCTING SIZE	6" ROUND
2 HALOGEN BULBS	TYPE JC, 20 W 12 V, G-4 BASE
WARRANTY	1 YEAR

*OPTIONAL ARP6 AIR FLOW REDUCER
(LIMITS THE AIRFLOW OF THE HOOD UNDER 300 CFM).

DIMENSIONS



AIR FLOW PERFORMANCE



HVI-2100 CERTIFIED RATINGS comply with new testing technologies and procedures prescribed by the Home Ventilating Institute, for off-the-shelf products, as they are available to consumers. Product performance is rated at 0.1 in. (2.54 mm) static pressure, based on tests conducted in a state-of-the-art test laboratory. Sones are a measure of humanly-perceived loudness, based on laboratory measurements.



BROAN-NU-TONE CANADA INC., MISSISSAUGA, ONTARIO WWW.BROAN.CA 1-888-882-7626

PROJECT	REMARKS
LOCATION	
MODEL No.	
QTY.	
SUBMITTED BY	
DATE	