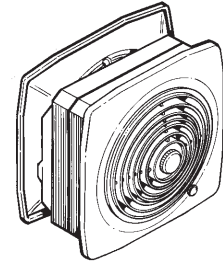


# MODELS 510N & 511N UTILITY ROOM-TO-ROOM VENTILATION FANS



**Easily installs in interior walls to move heated or cooled air from one room to another. Spreads heat from fireplaces, cool air from air conditioners to adjoining rooms.**

### FEATURES

#### GRILLE:

- Two contemporary styled grilles complement modern decor
- White polymeric grilles can be painted to match any decor

#### MOTOR:

- Permanently lubricated, thermally protected, plug-in motor
- Motor assembly offers fast, easy "twist-lock" installation
- Built-in solid state speed control for fan speed and sound level selection
- Model 510N - 10" (254 mm) diameter fan blade,  
Model 511N - 8" (203 mm) diameter fan blade

#### HOUSING:

- Requires 11-5/8" (295 mm) square hole through both interior walls
- Housing can be fastened to walls in several ways – allows flexibility to meet almost any mounting situation
- Adjustable housing fits walls from 3" (76 mm) to 5½" (140 mm) thick
- Housing 25 gauge finished with rugged electrically-bonded epoxy paint

### TYPICAL SPECIFICATION

Ventilator shall be Broan Model 510N or 511N.

Ventilator shall be installed in an interior wall 3" (76 mm) to 5½" (140 mm) thick — NOT through a fire-rated wall.

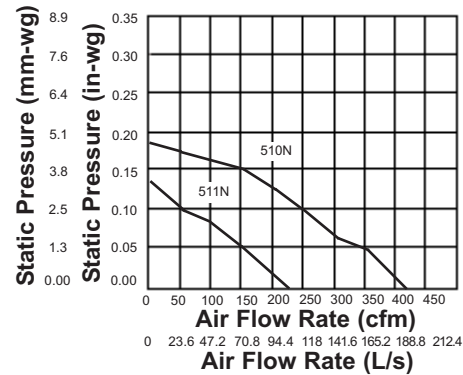
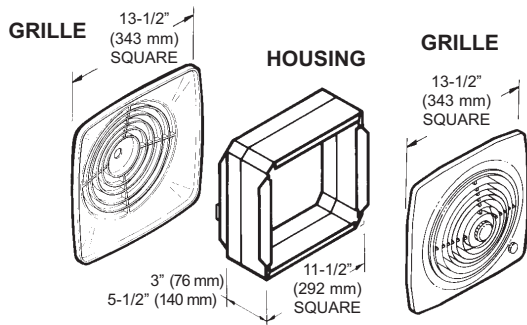
Ventilator shall be steel housing finished with electrically bonded epoxy paint. Grille to be white polymeric.

Motor assembly shall be removable and permanently lubricated. RPM shall not exceed 1550 (Model 510N) or 1575 (Model 511N).

Air delivery shall be no less than 380 CFM (179.3 L/s) and sound level no greater than 6.5 Sones (Model 510N), 180 CFM (85.0 L/s) and 3.5 Sones (Model 511N). All air and sound ratings shall be certified by HVI.

### SPECIFICATIONS

MODEL	VOLTS	AMPS	RPM	SONES	CFM (L/s)
510N	120	1.7	1550	6.5	380 (179.3)
511N	120	1.5	1575	3.5	180 (85.0)



HVI-2100 CERTIFIED RATINGS comply with new testing technologies and procedures prescribed by the Home Ventilating Institute, for off-the-shelf products, as they are available to consumers. Product performance is rated at 0.1 in. (2.54 mm) static pressure, based on tests conducted in a state-of-the-art test laboratory. Sones are a measure of humanly-perceived loudness, based on laboratory measurements.



Broan, 926 West State Street, Hartford, WI 53027 (1-800-637-1453)  
Broan Canada, 1140 Tristar Drive, Mississauga, Ontario, Canada L5T 1H9 (1-888-882-7626)

REFERENCE	QTY.	REMARKS	Project
			Location
			Architect
			Engineer
			Contractor
			Submitted by <span style="float: right;">Date</span>