



Broan Elite 63000 Series

Featuring a sleek free-hanging design, seamless construction and fully enclosed underside, the 63000 Series assures easy cleaning while its halogen bulbs provide superior lighting. Innovative blower systems also provide outstanding performance in removing grease and smoke.

- Free-hanging design to draw the eye from every vantage point.
- Enduring style, stainless steel construction.
- Seamless corners for easy cleaning.
- Concealed three-speed control.
- Superior lighting from four 20-watt halogen bulbs (included).
- The 637004EX model is designed to operate with all Broan Elite external blowers, providing a choice of four exterior models: 600, 900, 1200 or 1500 CFM or four in-line models: 280, 600, 800 or 1100 CFM (sold separately).
- Telescopic flue fits 8' to 9' ceilings.
- Optional flue extension for 10' ceiling is also available (sold separately).
- Easily removable, dishwasher-safe stainless steel grease filter.
- Heat Sentry™ detects excessive heat and adjusts blower speed to high automatically.

SPECIFICATIONS

WIDTH	STAINLESS STEEL	BLOWER	VOLTS	AMPS	CFM	SONES	DUCT
39 3/8"	637004	Internal	120	5.5	900	9.5	8" round
39 3/8"	637004EX	External	120	0.8*	**	**	8" round

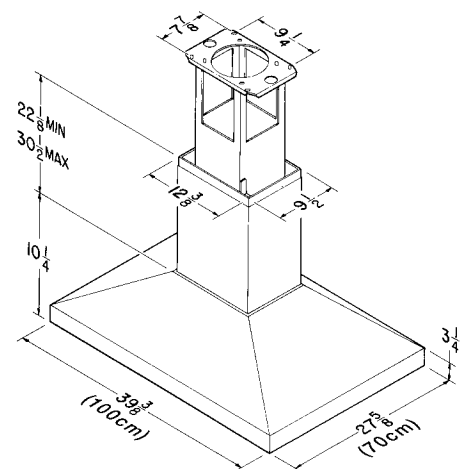
OPTIONS

RFX6304EX Flue Extension 10' ceiling

B08087141 Replacement Stainless Steel Grease Filter

* Hood amps without blower. For total system amps, combine hood with external blower amps.

** External blowers sold separately.



Dimensions shown are in inches.

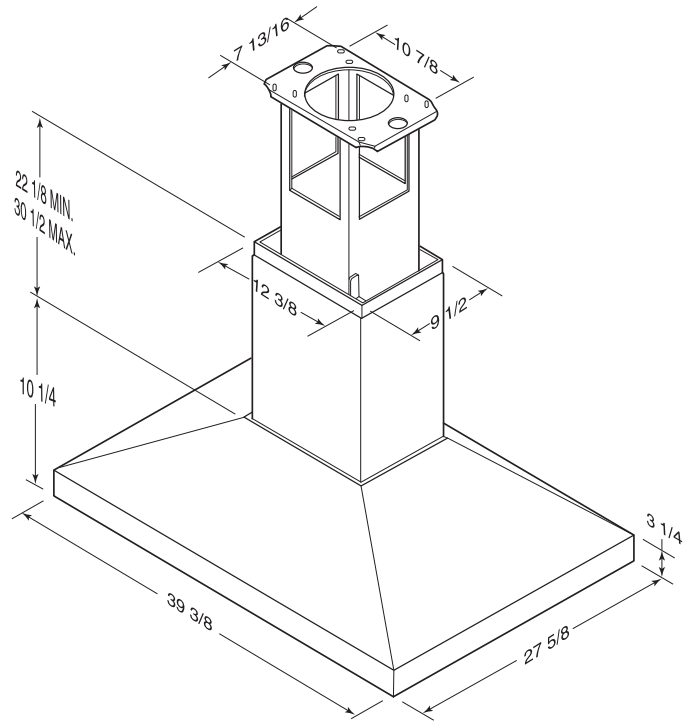


874268 09/09

SPECIFICATIONS

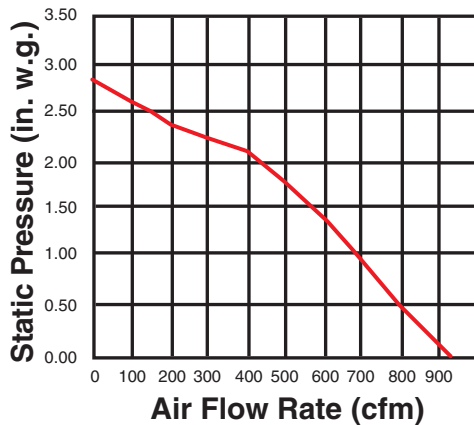
MODEL	63000 SERIES
VOLTS	120 VAC
HZ	60
AMPS	5.5
CFM	900
SONES	9.5
BLOWER	INTERNAL
DUCTING SIZE	8" ROUND
4 HALOGEN BULBS	TYPE T3, 20 W, 12 V WITH G4 BASE
WARRANTY	1 YEAR

DIMENSIONS



NOTE: DIMENSIONS SHOWN ARE IN INCHES.

AIR FLOW PERFORMANCE



HVI-2100 CERTIFIED RATINGS comply with new testing technologies and procedures prescribed by the Home Ventilating Institute, for off-the-shelf products, as they are available to consumers. Product performance is rated at 0.1 in. (2.54 mm) static pressure, based on tests conducted in a state-of-the-art test laboratory. Sones are a measure of humanly-perceived loudness, based on laboratory measurements.



BROAN-NU-TONE CANADA INC., MISSISSAUGA, ONTARIO WWW.BROAN.CA 1-888-882-7626

PROJECT	REMARKS
LOCATION	
MODEL No.	
QTY.	
SUBMITTED BY	
DATE	