

Tankless Water Heater Accessories

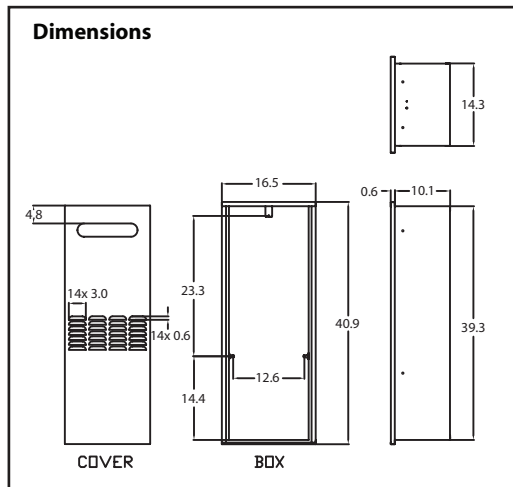
Specification Sheet

RB-700-1 Recess Box

For Model NR98OD (GQ-2857WX US)



- Made of powder coated steel for use with outdoor (-OD) models
- Outdoor installation eliminates venting while creating a clean installation
- Installing outdoors will provide more square footage within a home
- CSA-approved design that is designed to be mounted in a wall cavity and rated for zero clearance to combustibles*



Recess Box Models

Recess Box - Standard (#RB-700-1)

• For Outdoor Models

NR98OD (GQ-2857WX US)

**This accessory is rated for zero clearance to combustibles. In order to perform necessary maintenance on the water heater, 2' of clearance is recommended from the front of the recess box.*

