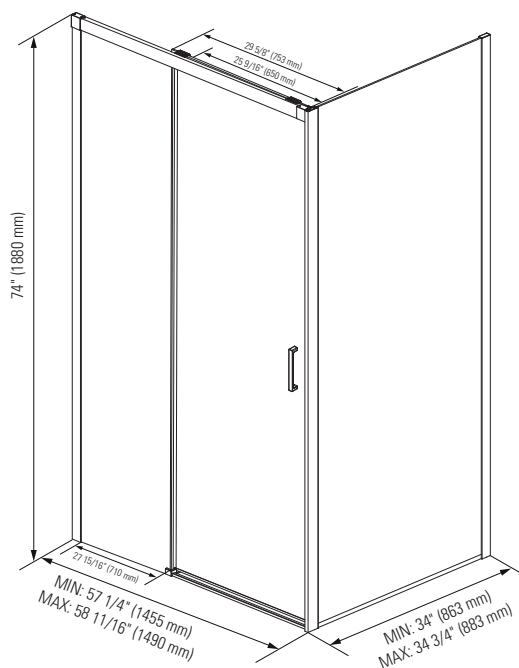


SELLA 3660 SHOWER DOOR



PRODUCT DESCRIPTION:

Contemporary style
Fixed panel, sliding door panel
and return panel
6 mm glass (1/4")
Door opening min 25 9/16" max 26 1/4"
Right or left opening
Offered in chrome/clear

24-48hrs

BOXES SIZE:

77" x 37 7/8" x 3 3/4"

NET WEIGHT:

152 lbs

GROSS WEIGHT

166 lbs

* Produits Neptune applies a cutting-edge protective covering, which repels water and dirt for easy cleaning and increases the lifespan of your shower doors.



Certification ECORESPONSIBLE
First manufacturer of bathroom products in North America to be certified ecoresponsible.



Produits Neptune

ENTREPRENEUR

6835, Picard street, Saint-Hyacinthe (Quebec) J2S 1H3
Phone: (450) 773-7058 - Fax: (450) 773-5063
produitsneptune.com

REV: 06-18