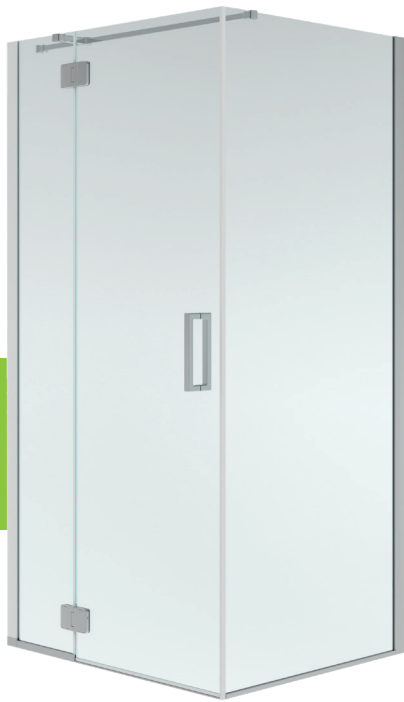



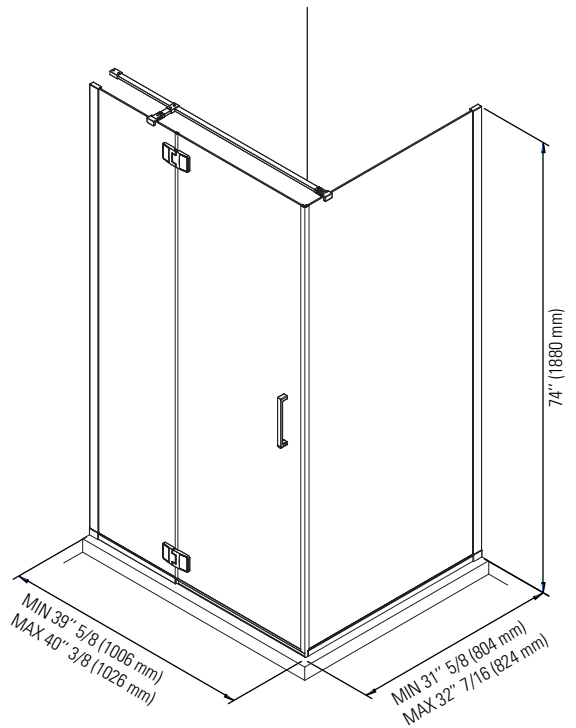
AZELIA 3442 SHOWER DOOR

LOT #1



Picture : Lot #1

<p>PRODUCT DESCRIPTION:</p> <p>Contemporary style Front and return glass panels 6 mm glass (1/4") Door opening 23 5/8" right or left corner installation Offered in chrome/clear</p>		
<p>BOXES SIZE:</p>		
<p>NET WEIGHT:</p>	<p>GROSS WEIGHT</p>	



* Produits Neptune applies a cutting-edge protective covering, which repels water and dirt for easy cleaning and increases the lifespan of your shower doors.



Certification ECORESPONSIBLE
 First manufacturer of bathroom products in North America to be certified ecoresponsible.



Produits Neptune

6835, Picard street, Saint-Hyacinthe (Quebec) J2S 1H3
 Phone: (450) 773-7058 - produitsneptune.com

REV: 05-20