

## CHESTERFIELD

### SINGLE-HOLE LAVATORY FAUCET

#### Features

Solid brass construction  
Forged brass body with integral spout and handles  
Quarter-turn washerless ceramic disc valve cartridges  
Spout assembly with integral supply hoses  
Pop-up drain with tailpiece  
5.23" (13.3 cm) spout height at outlet  
6.95" (17.7 cm) spout reach (c-c)  
For single hole configurations  
ADA Compliant  
1.2 GPM (4.5 LPM) Max

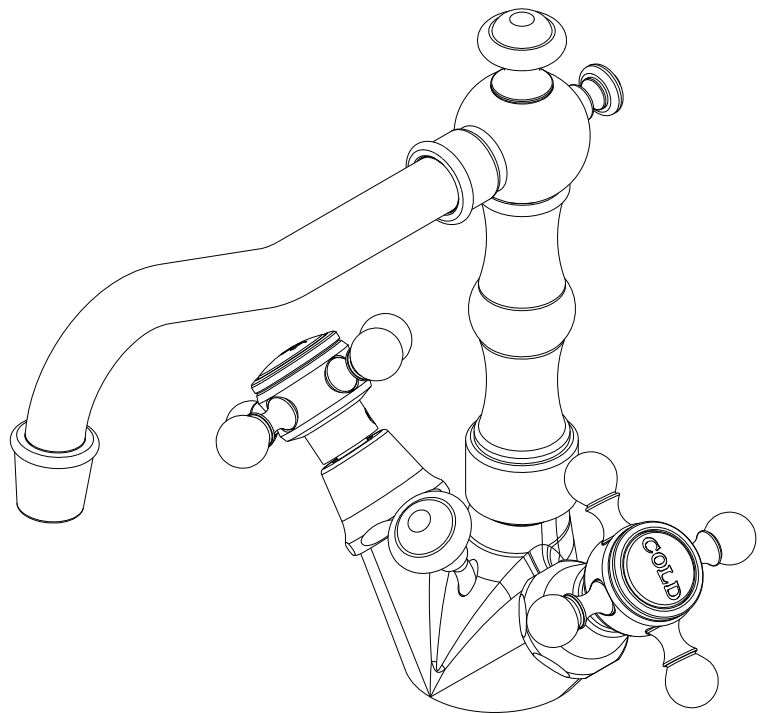
# 932



#### Codes / Standards Compliance

Meets or exceeds the following at date of manufacture:

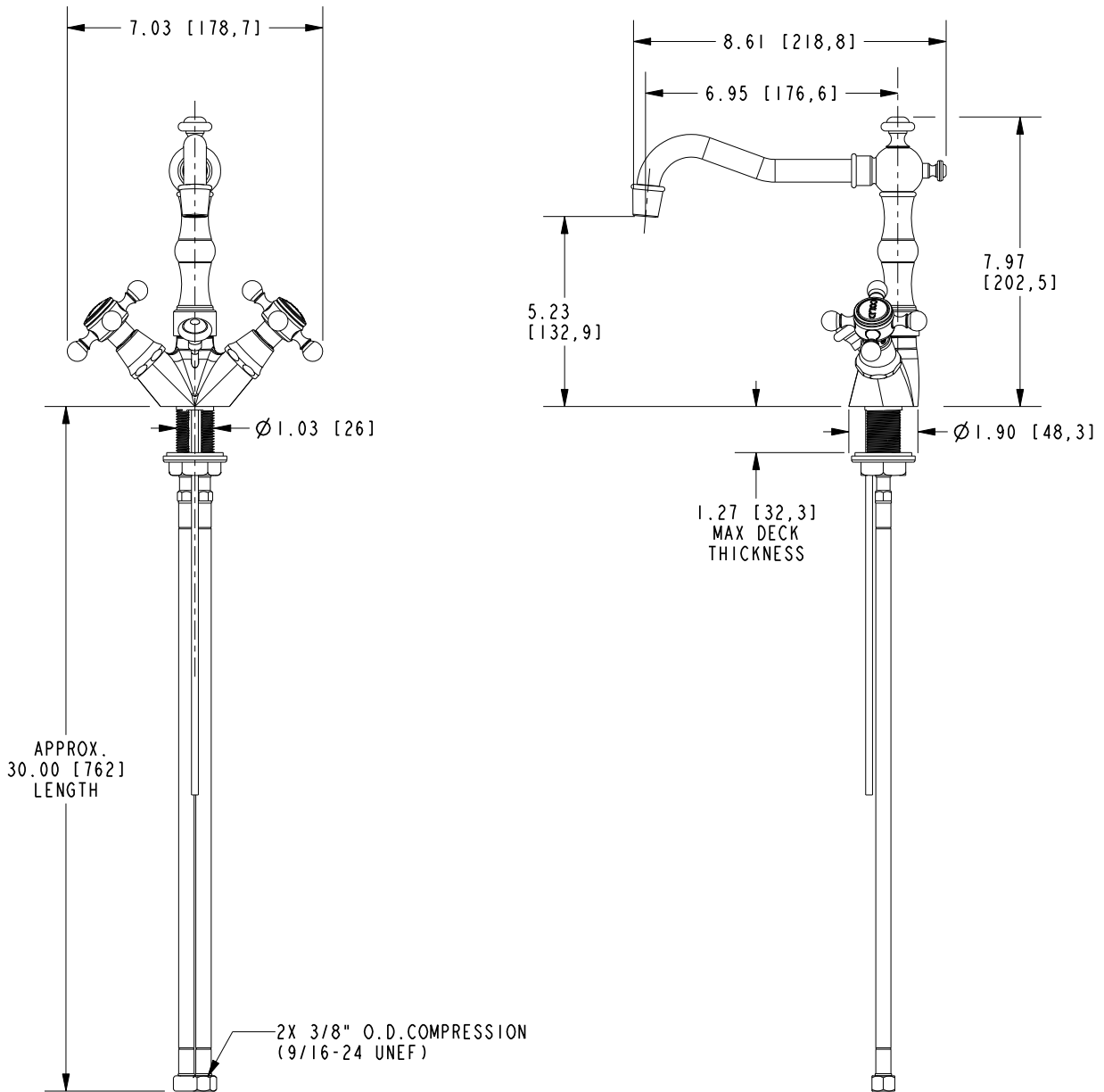
ASME A112.18.1/CSA B125.1  
IAPMO/cUPC  
NSF/ANSI/CAN 61, SECTION 9  
NSF/ANSI 372  
IPC  
ADA & ICC/ANSI A117.1  
Energy Policy Act of 1992  
EPA WaterSense  
California Energy Commission  
All applicable US Federal and State material regulations



# 932

## PRODUCT DIMENSIONS *(Units are in inches)*

Product Dimensions are provided for reference only. For specific product installation guidelines, please reference the Installation Instructions of the product being installed.



SINGLE-HOLE LAVATORY FAUCET

932

Page 2 of 2  
EN- 4816  
REV J

**NEWPORT BRASS**  
Flawless Beauty. From Faucet to Finish.

t: 949.417.5207 | www.newportbrass.com  
©2024 Brasstech, Inc.