

**Tub and Handshower Set**  
**920-4282**

**Features**

- Solid brass construction
- Quarter-turn washerless ceramic disc valve cartridges
- 3/4" NPT hot and cold inlet fittings
- 8.65" (22.0 cm) to 10.12" (25.7 cm) tub spout reach (wall-center)
- 2.08" (5.3 cm) handshower diameter
- For wall mounted configurations, all is included
- "For floor mounted configurations, select optional accessories, below"
- ADA Complaint (Handles Only)
- 1.8 GPM (6.8 LPM) Max, Handshower Only

**Codes / Standards Compliance**

Meets or exceeds the following at date of manufacture:

- ASME A112.18.1/CSA B125.1
- IAMPO/cUPC
- IPC
- ADA & ICC/ANSI A117.1 (Handle Only)
- Energy Policy Act of 1992
- EPA WaterSense
- California Energy Commission
- ASME A112.18.3 (Back Flow)
- All applicable US Federal and State material regulations

**Colors / Finishes**

- 10B: Oil Rubbed Bronze
  - 15: Polished Nickel
  - 15S: Satin Nickel - PVD
  - 26: Polished Chrome
- Other: Refer to the Newport Brass catalog for additional color/finish options.



**Specified Model**

Model	Description	Colors   Finishes				
920-4282	Exposed Tub and Handshower Set (Wall Mount)	<input type="checkbox"/> 10B	<input type="checkbox"/> 15	<input type="checkbox"/> 15S	<input type="checkbox"/> 26	<input type="checkbox"/> Other

**Optional Accessory:**

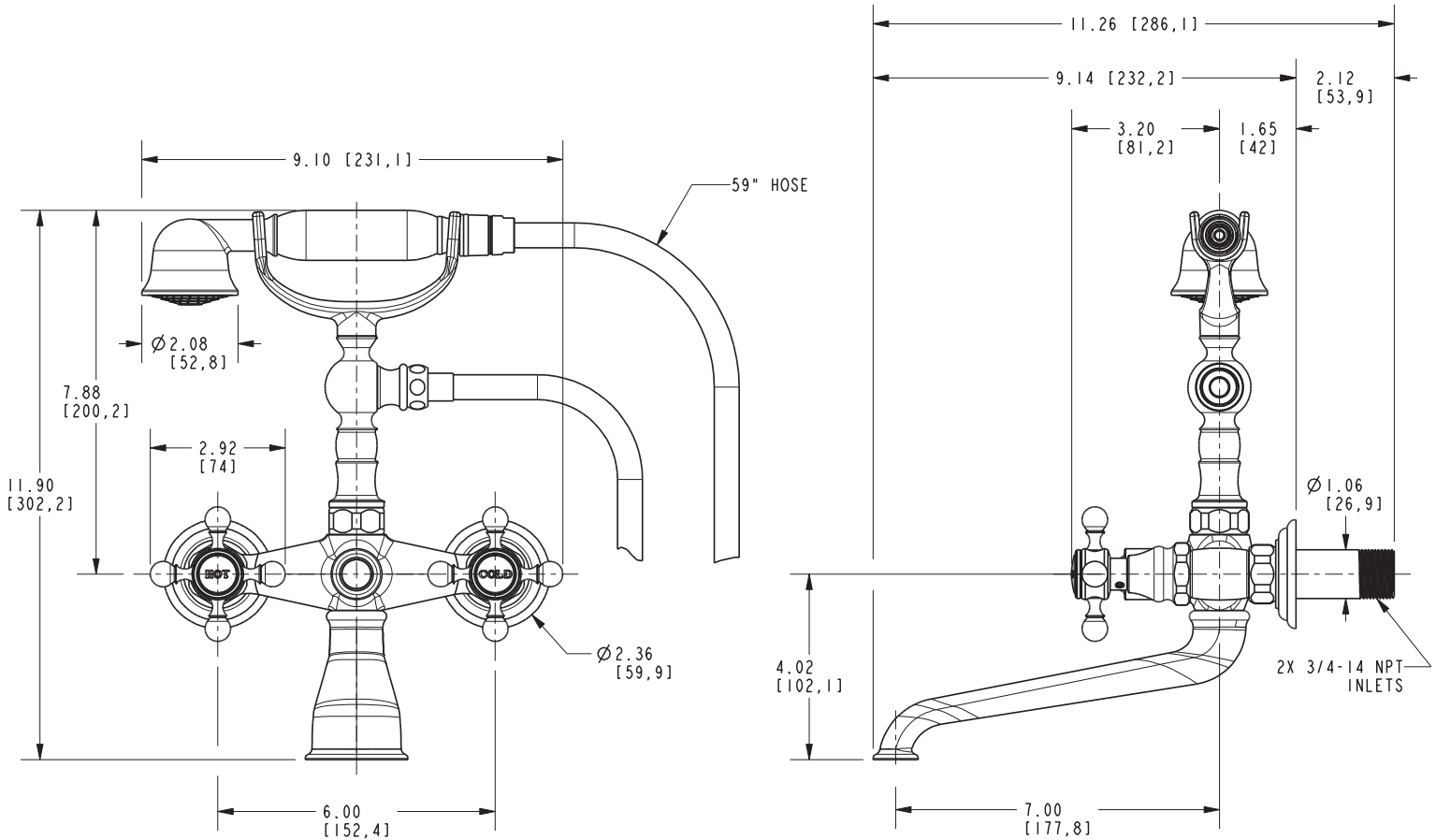
Model	<input type="checkbox"/> 3-196	<input type="checkbox"/> 3-226	<input type="checkbox"/> 3-192	<input type="checkbox"/> 2-734
Descriptions	Floor Mounting Kit (3/4" NPT x 31" risers)	Floor Mounting Kit (3/4" NPT x 24" risers)	Shut-off Valve Set (Pair, Hot & Cold)	Tub Stabilizer Ki
Finishes	<input type="checkbox"/> 10B <input type="checkbox"/> 15 <input type="checkbox"/> 15S <input type="checkbox"/> 26 <input type="checkbox"/> Other	<input type="checkbox"/> 10B <input type="checkbox"/> 15 <input type="checkbox"/> 15S <input type="checkbox"/> 26 <input type="checkbox"/> Other	<input type="checkbox"/> 10B <input type="checkbox"/> 15 <input type="checkbox"/> 15S <input type="checkbox"/> 26 <input type="checkbox"/> Other	<input type="checkbox"/> 10B <input type="checkbox"/> 15 <input type="checkbox"/> 15S <input type="checkbox"/> 26 <input type="checkbox"/> Other
Image				

**Product Specification Add "Color / Finish" suffix to Model number, below.**

The Exposed Tub and Handshower Set shall be made of solid brass construction and incorporate quarter-turn washerless ceramic disc valve cartridges. Exposed Tub and Handshower Set shall incorporate a push button diverter and ADA compliant cross handles. Product shall be designed for wall-mounted configurations and be able to accommodate floor mounted configurations via the addition of optional accessories. Product shall have a 8.65" (22.0 cm) to 10.12" (25.7 cm) tub spout reach (wall-center) and 3/4" NPT wall-mounted hot/cold inlet fittings. Product shall feature a solid brass handshower having a diameter of 2.08" (5.3 cm) and a 1.8 gallons (6.7 liters) per minute maximum flow rate. Exposed Tub and Handshower Set shall be Newport Brass Model 920-4282/\_\_\_\_\_. [Optional Floor Mounting Kit (3/4" NPT) shall be 3-\_\_\_\_\_/\_\_\_\_\_, Shut-off Valve Set shall be 3-192/\_\_\_\_ and Tub Stabilizer Kit shall be 2-734/\_\_\_\_.]

# 920-4282

Product Dimensions are provided for reference only. For specific product installation guidelines, please reference the Installation Instructions of the product being installed.



## Astor Tub and Handshower Set 920-4282