

Features

- Solid brass construction
- Complements Astor, Alveston, Bevelle, Chesterfield, Fairfield and Seaport product series

Double Robe Robe Hook
890-1660

Codes / Standards Compliance

- Meets or exceeds the following at date of manufacture:
- All applicable US Federal and State material regulations



Colors / Finishes

- 10B: Oil Rubbed Bronze
 - 15: Polished Nickel
 - 15S: Satin Nickel - PVD
 - 26: Polished Chrome
- Other: Refer to the Newport Brass catalog for additional color/finish options.

Specified Model

Model	Description	Colors Finishes				
890-1660	Double Robe Hook	<input type="checkbox"/> 10B	<input type="checkbox"/> 15	<input type="checkbox"/> 15S	<input type="checkbox"/> 26	<input type="checkbox"/> Other

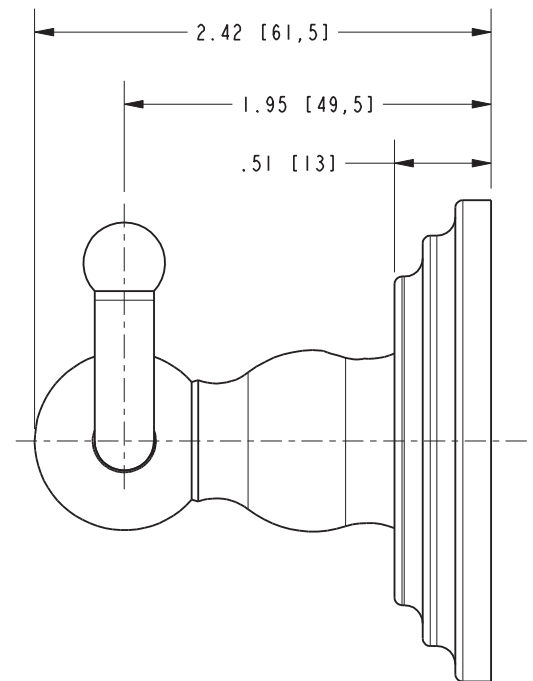
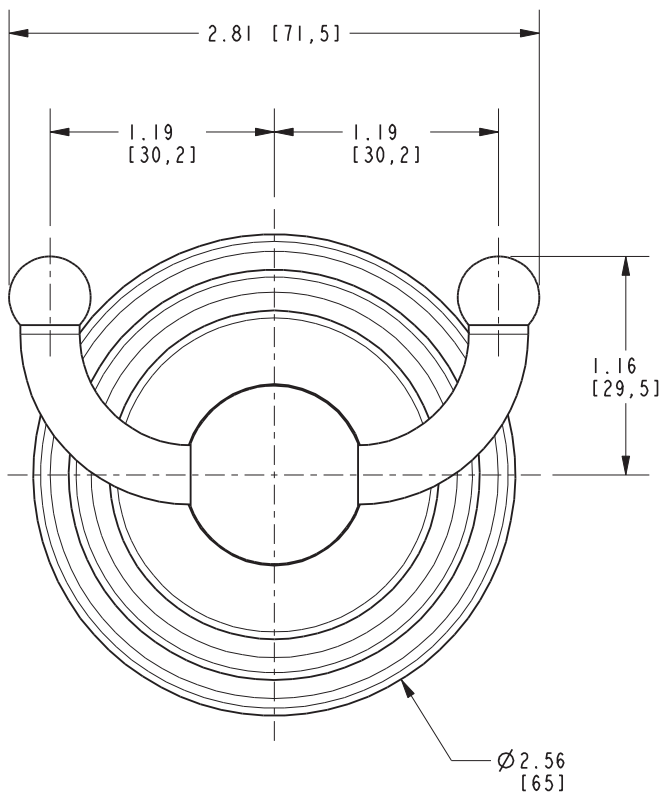
Product Specification Add "Color / Finish" suffix to Model number, below.

The Double Robe Hook shall be made of solid brass construction. Double Robe Hook shall complement Newport Brass Astor product series. Double Robe Hook shall be Newport Brass Model 890-1660/_____.

890-1660

PRODUCT DIMENSIONS *(Units are in inches)*

Product Dimensions are provided for reference only. For specific product installation guidelines, please reference the Installation Instructions of the product being installed.



Astor Double Robe Hook 890-1660