

Towel Ring
82-09

Features

- Solid metal construction
- Single-post, horizontal pivot design with hanging, closed ring
- Complements Newport 365 Bronwen product series



Codes / Standards Compliance

Meets or exceeds the following at date of manufacture:

- All applicable US Federal and State material regulations

Colors / Finishes

- 15: Polished Nickel
- 15S: Satin Nickel - PVD
- 26: Polished Chrome



Specified Model

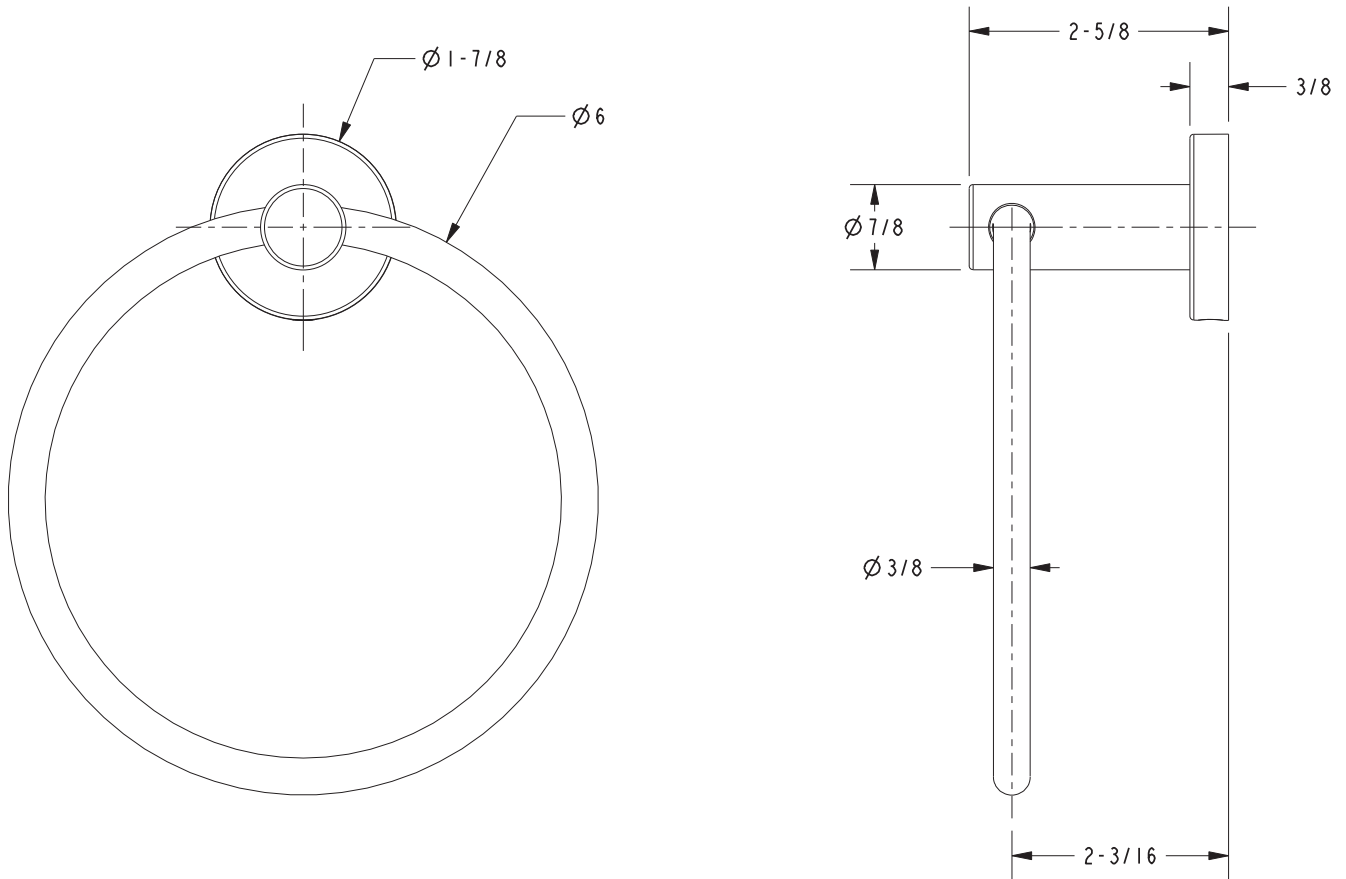
Model	Description	Colors Finishes
82-09	Towel Ring	<input type="checkbox"/> 15 <input type="checkbox"/> 15S <input type="checkbox"/> 26

Product Specification Add "Length Indicator and Color / Finish" suffix to Model number, below.

The Towel Ring shall be made of solid metal construction and incorporate a single-post, horizontal pivot design with hanging, closed ring. Towel Ring shall complement Newport 365 Bronwen product series. Towel Ring shall be Newport 365 Model 82-09/_____.

82-09

PRODUCT DIMENSIONS *(Units are in inches)*



Newport 365 Towel Ring
82-09

NEWPORT BRASS
Flawless Beauty. From Faucet to Finish.™