

**Features**

- Solid brass construction
- Face plate with diverter pull-knob and ADA compliant traditional lever handle
- ADA compliant traditional lever handle assembly options for control valve
- Intended for use with Newport Brass rough valve(s) as specified (Required Accessory)
- ADA Complaint (Handles Only)

**Tub and Shower Trim  
(less tub spout, showerhead, arm & flange)**

**5-982BP**

**Also 3-188H, 3-188C**

**Codes / Standards Compliance**

Meets or exceeds the following at date of manufacture:

- ASME A112.18.1/CSA B125.1
- IAMPO/cUPC
- IPC
- ADA & ICC/ANSI A117.1 (Handle Only)
- All applicable US Federal and State material regulations



**Colors / Finishes**

- 10B: Oil Rubbed Bronze
- 15: Polished Nickel
- 15S: Satin Nickel - PVD
- 26: Polished Chrome
- Other: Refer to the Newport Brass catalog for additional color/finish options.



5-982BP



3-188H



3-188C

**Specified Model**

| Model   | Description  | Colors   Finishes            |                             |                              |                             |                                |
|---------|--|------------------------------|-----------------------------|------------------------------|-----------------------------|--------------------------------|
| 5-982BP | Tub and Shower Trim (less tub spout, showerhead, arm & flange) | <input type="checkbox"/> 10B | <input type="checkbox"/> 15 | <input type="checkbox"/> 15S | <input type="checkbox"/> 26 | <input type="checkbox"/> Other |
| 3-188H  | Shower System Control Valve Trim (Escutcheon/Handle, Hot)      | <input type="checkbox"/> 10B | <input type="checkbox"/> 15 | <input type="checkbox"/> 15S | <input type="checkbox"/> 26 | <input type="checkbox"/> Other |
| 3-188C  | Shower System Control Valve Trim (Escutcheon/Handle, Cold)     | <input type="checkbox"/> 10B | <input type="checkbox"/> 15 | <input type="checkbox"/> 15S | <input type="checkbox"/> 26 | <input type="checkbox"/> Other |

**Required Accessory:**

| System Element           | Tub & Shower Valve             | Control Valve (Optional)       |
|--------------------------|--------------------------------|--------------------------------|
| <b>Description</b>       | BP Valve                       | 3-Outlet Diverter              |
| <b>Inlet/Outlet Size</b> | 1/2"                           | 1/2"                           |
| <b>Part Number</b>       | <input type="checkbox"/> 1-685 | <input type="checkbox"/> 1-703 |
| <b>Image</b>             |                                |                                |

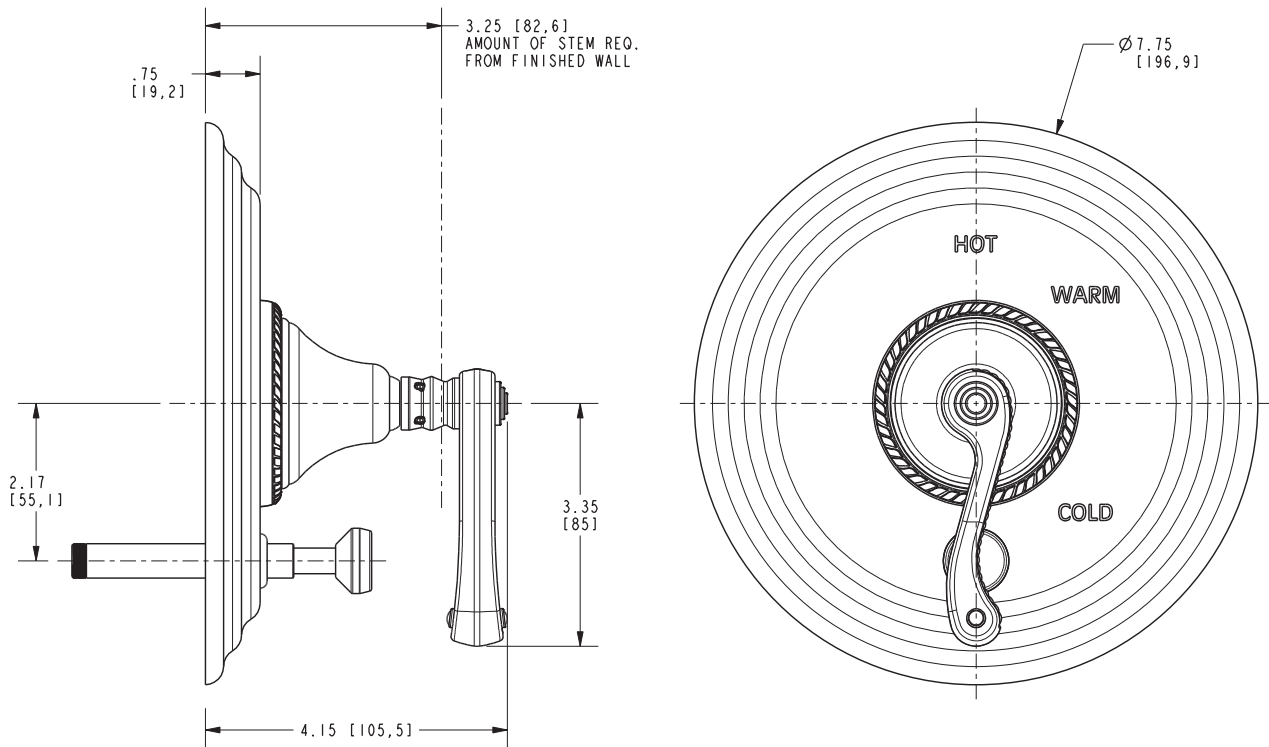
**Product Specification:** Add size designator and "Color / Finish" suffix to Model number, below.

The single-control Tub and Shower Trim (less tub spout, showerhead, arm & flange) shall be made of solid brass construction. Tub and Shower Trim shall include faceplate with diverter pull-knob and ADA compliant handle. Shower System Control Valve Trim(s) (Escutcheon/Handle) shall be ADA compliant when used with specified Shower System Control Valve. Tub and Shower Trim (less tub spout, showerhead, arm & flange) shall be Newport Brass Model 5-982BP/\_\_\_\_\_ and single-control Tub and Shower rough valve shall be Newport Brass Model 1-685. [Optional Shower System Control Valve Trim (Escutcheon/Handle) shall be 3-188\_\_\_/\_\_\_\_\_ and Shower System Control Valve shall be 1-703].

# 5-982BP

## PRODUCT DIMENSIONS *(Units are in inches)*

Product Dimensions are provided for reference only. For specific product installation guidelines, please reference the Installation Instructions of the product being installed.



### Amisa Tub and Shower Trim 5-982BP