

EAST SQUARE

Features

- Solid brass construction
- Face plate with ADA compliant contemporary lever handle
- ADA compliant contemporary lever & cross handle assembly options for control valve
- Intended for use with Newport Brass rough valve(s) as specified (Required Accessory)
- ADA Compliant

Codes / Standards Compliance

Meets or exceeds the following at date of manufacture:

- ASME A112.18.1/CSA B125.1
- IAMPO/cUPC
- IPC
- ADA & ICC/ANSI A117.1
- All applicable US Federal and State material regulations

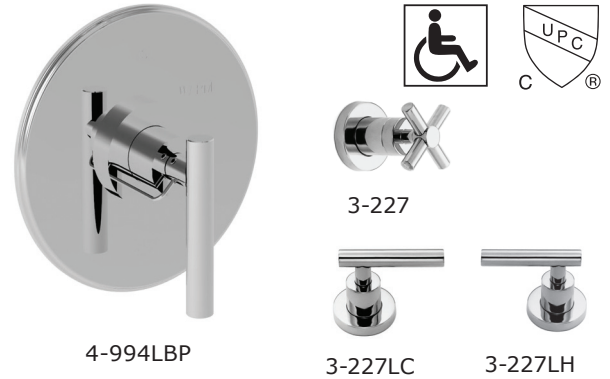
Colors / Finishes

- 10B: Oil Rubbed Bronze
- 15: Polished Nickel
- 15S: Satin Nickel - PVD
- 26: Polished Chrome
- Other: Refer to the Newport Brass catalog for additional color/finish options.

**Tub or Shower Trim
(less tub spout or showerhead, arm or flange)**

4-994LBP

Also 3-227, 3-227LC, 3-227LH



Specified Model

| Model | Description | Colors Finishes | | | | |
|----------|--|------------------------------|-----------------------------|------------------------------|-----------------------------|--------------------------------|
| 4-994LBP | Tub or Shower Trim (less tub spout or showerhead, arm or flange) | <input type="checkbox"/> 10B | <input type="checkbox"/> 15 | <input type="checkbox"/> 15S | <input type="checkbox"/> 26 | <input type="checkbox"/> Other |
| 3-227 | Shower System Control Valve Trim (Escutcheon/Handle) | <input type="checkbox"/> 10B | <input type="checkbox"/> 15 | <input type="checkbox"/> 15S | <input type="checkbox"/> 26 | <input type="checkbox"/> Other |
| 3-227LC | Shower System Control Valve Trim (Escutcheon/Handle, Cold) | <input type="checkbox"/> 10B | <input type="checkbox"/> 15 | <input type="checkbox"/> 15S | <input type="checkbox"/> 26 | <input type="checkbox"/> Other |
| 3-227LH | Shower System Control Valve Trim (Escutcheon/Handle, Hot) | <input type="checkbox"/> 10B | <input type="checkbox"/> 15 | <input type="checkbox"/> 15S | <input type="checkbox"/> 26 | <input type="checkbox"/> Other |

Required Accessory:

| System Element | Shower (or Tub) Valve | Control Valve (Optional) |
|--------------------------|--------------------------------|--------------------------------|
| Description | BP Valve | 3-Outlet Diverter |
| Inlet/Outlet Size | 1/2" | 1/2" |
| Part Number | <input type="checkbox"/> 1-684 | <input type="checkbox"/> 1-703 |
| Image | | |

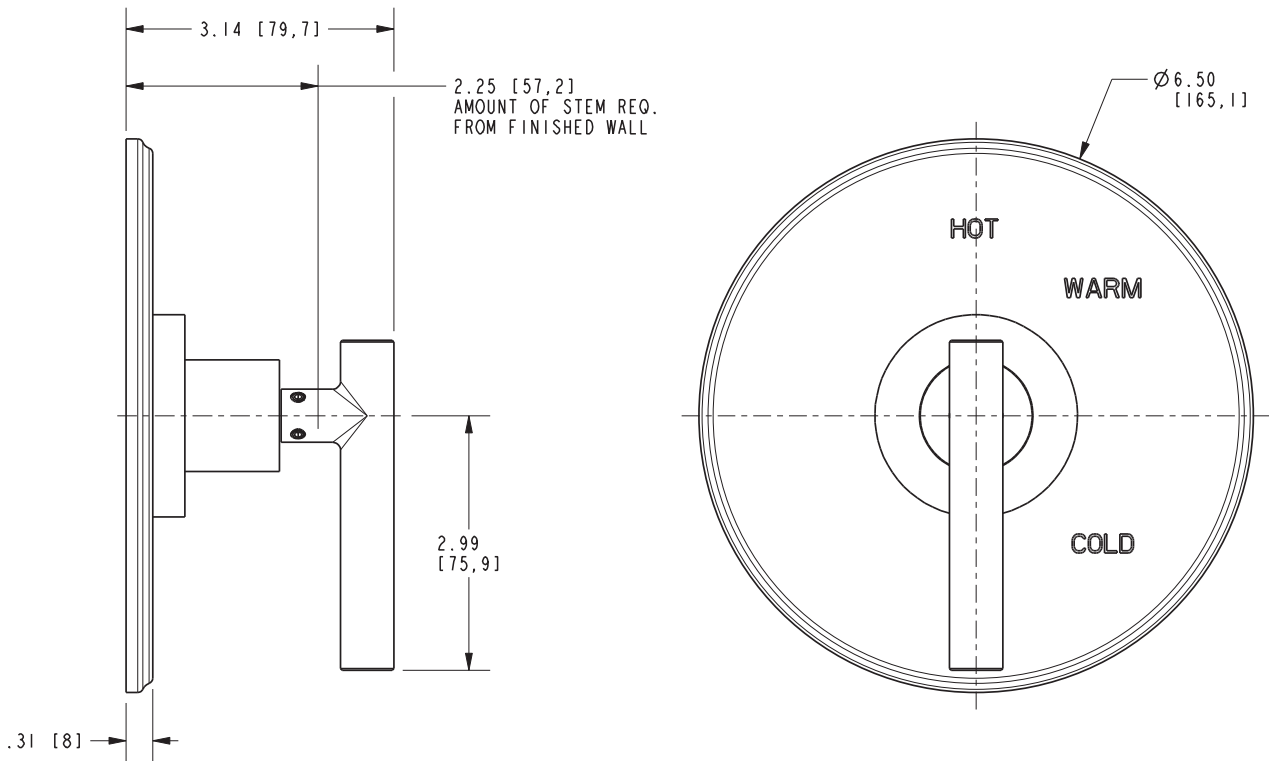
Product Specification: Add size designator and "Color / Finish" suffix to Model number, below.

The single-control Tub or Shower Trim (less tub spout or showerhead, arm & flange) shall be made of solid brass construction. Tub or Shower Trim shall include faceplate with ADA compliant handle. Shower System Control Valve Trim(s) (Escutcheon/Handle) shall be ADA compliant when used with specified Shower System Control Valve. Tub or Shower Trim (less tub spout or showerhead, arm & flange) shall be Newport Brass Model 4-994LBP/____ and single-control Tub or Shower rough valve shall be Newport Brass Model 1-684. Shower System Control Valve Trim(s) (Handle/Escutcheon) shall be 3-227____/____ (and 3-227____/____) and Shower System Control Valve shall be 1-703.

4-994LBP

PRODUCT DIMENSIONS *(Units are in inches)*

Product Dimensions are provided for reference only. For specific product installation guidelines, please reference the Installation Instructions of the product being installed.



East Square Shower Trim 4-994LBP