

**Toilet Tissue Holder**  
**36-27**

**Features**

- Solid brass construction
- Single-post, open roller design
- Complements Keaton & Priya product series
- Optional left or right hand mounting orientation

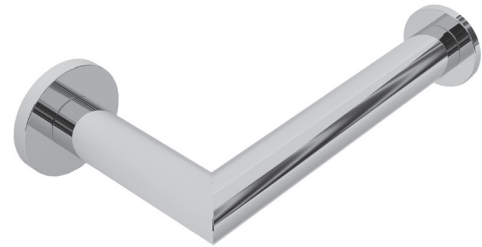
**Codes / Standards Compliance**

Meets or exceeds the following at date of manufacture:

- All applicable US Federal and State material regulations

**Colors / Finishes**

- 10B: Oil Rubbed Bronze
- 15: Polished Nickel
- 15S: Satin Nickel - PVD
- 26: Polished Chrome
- Other: Refer to the Newport Brass catalog for additional color/finish options.



**Specified Model**

Model	Description	Colors   Finishes				
36-27	Open Toilet Tissue Holder	<input type="checkbox"/> 10B	<input type="checkbox"/> 15	<input type="checkbox"/> 15S	<input type="checkbox"/> 26	<input type="checkbox"/> Other

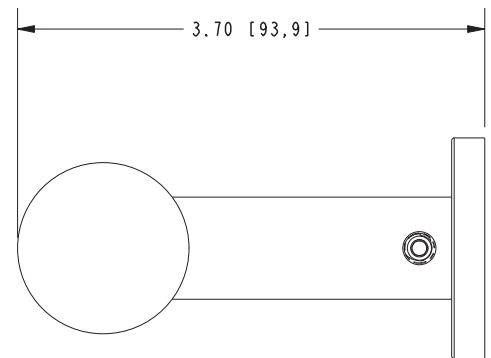
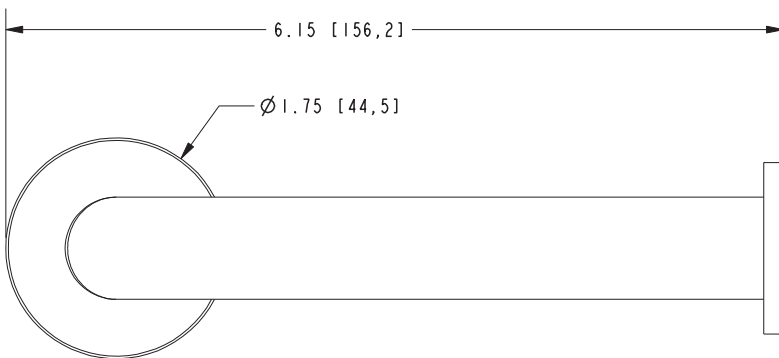
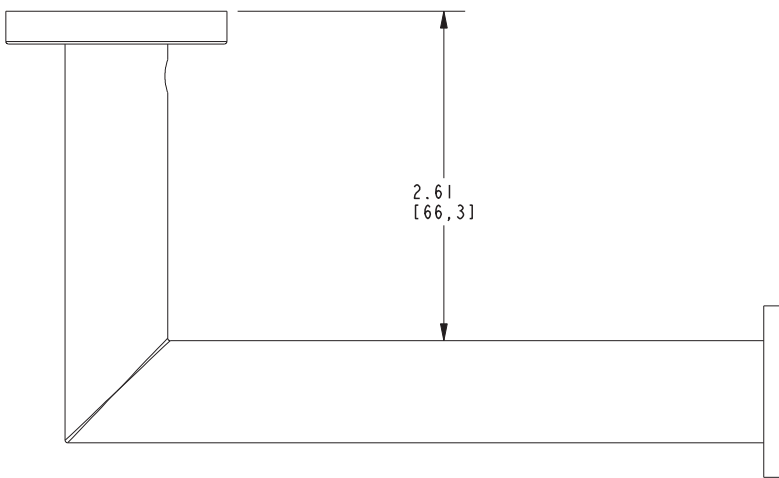
**Product Specification** Add "Color / Finish" suffix to Model number, below.

Toilet Tissue Holder shall be made of solid brass construction and incorporate a single-post, open roller design. Toilet Tissue Holder shall complement Newport Brass Keaton product series. Toilet Tissue Holder may be installed in either left or right hand orientation. Toilet Tissue Holder shall be Newport Brass Model 36-27/\_\_\_\_\_.

# 36-27

## PRODUCT DIMENSIONS *(Units are in inches)*

Product Dimensions are provided for reference only. For specific product installation guidelines, please reference the Installation Instructions of the product being installed.



**Keaton Toilet Tissue  
Holder  
36-27**