

Double Robe Hook
36-13

Features

- Solid brass construction
- Complements Keaton product series

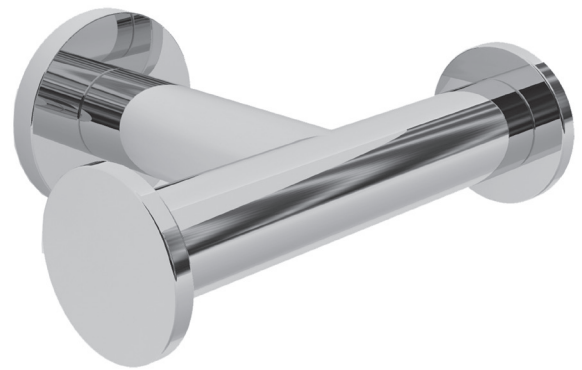
Codes / Standards Compliance

Meets or exceeds the following at date of manufacture:

- All applicable US Federal and State material regulations

Colors / Finishes

- 10B: Oil Rubbed Bronze
 - 15: Polished Nickel
 - 15S: Satin Nickel - PVD
 - 26: Polished Chrome
- Other: Refer to the Newport Brass catalog for additional color/finish options.



Specified Model

Model	Description	Colors Finishes
36-13	Double Robe Hook	<input type="checkbox"/> 10B <input type="checkbox"/> 15 <input type="checkbox"/> 15S <input type="checkbox"/> 26 <input type="checkbox"/> Other

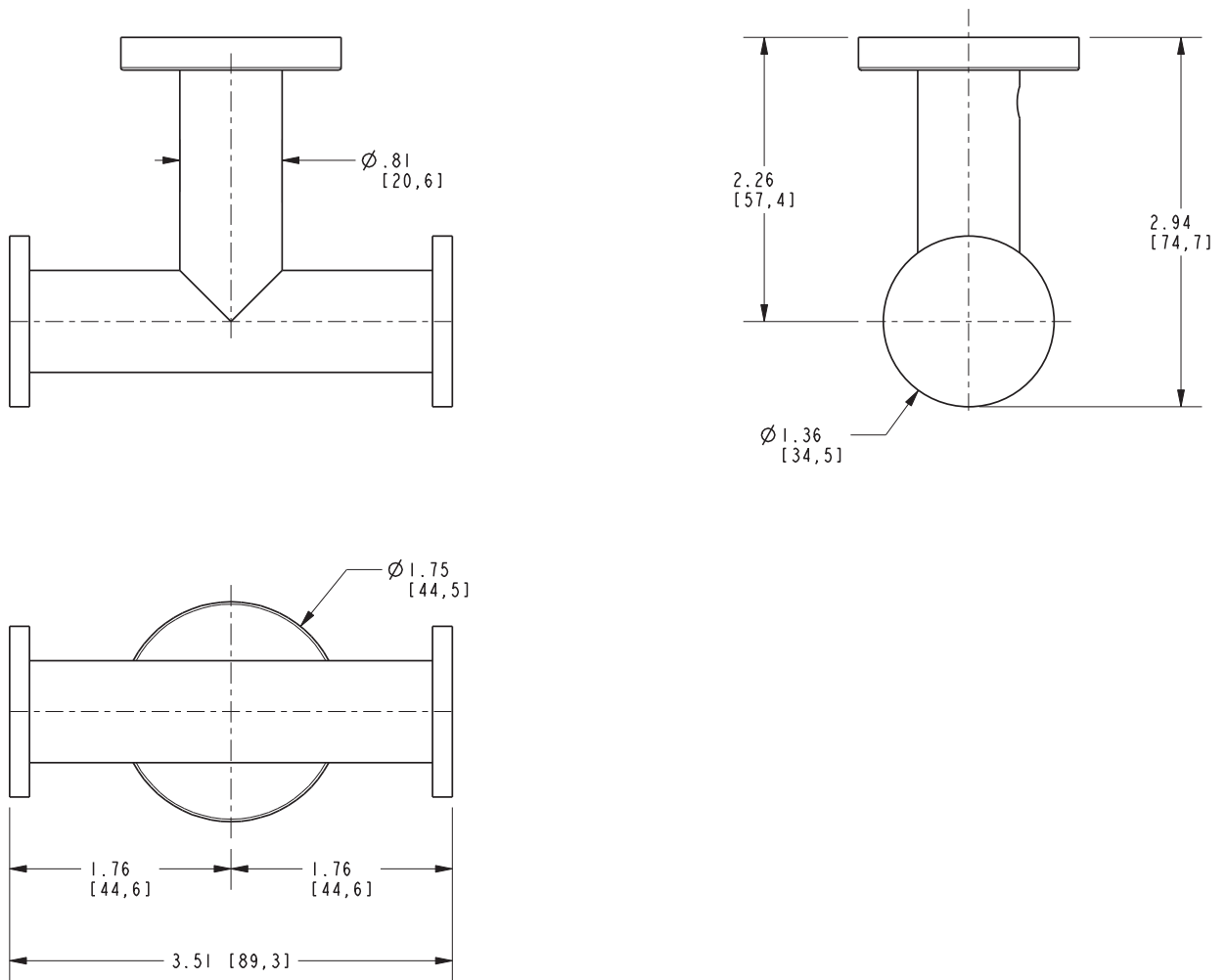
Product Specification: Add size designator and "Color / Finish" suffix to Model number, below.

The Double Robe Hook shall be made of solid brass construction. Double Robe Hook shall complement Newport Brass Keaton product series. Double Robe Hook shall be Newport Brass Model 36-13/____ .

36-13

PRODUCT DIMENSIONS *(Units are in inches)*

Product Dimensions are provided for reference only. For specific product installation guidelines, please reference the Installation Instructions of the product being installed.



Keaton Double Robe Hook 36-13