

Features

- Solid brass construction
- Push Pop-Up Style Drain
- Drain Tailpiece is unpolished
- Fits 1-5/8" to 1-3/4" sink openings
- Does not includes Overflow Holes
- Includes 1-1/4" O.D. Tailpiece

Codes / Standards Compliance

Meets or exceeds the following at date of manufacture:

- ASME A112.18.2/CSA B125.2
- IAMPO/cUPC
- IPC
- All applicable US Federal and State material regulations

Colors / Finishes

- 10B: Oil Rubbed Bronze
- 15: Polished Nickel
- 15S: Satin Nickel - PVD
- 26: Polished Chrome
- Other: Refer to the Newport Brass catalog for additional color/finish options.

Lavatory Drain Assembly

3301



Specified Model

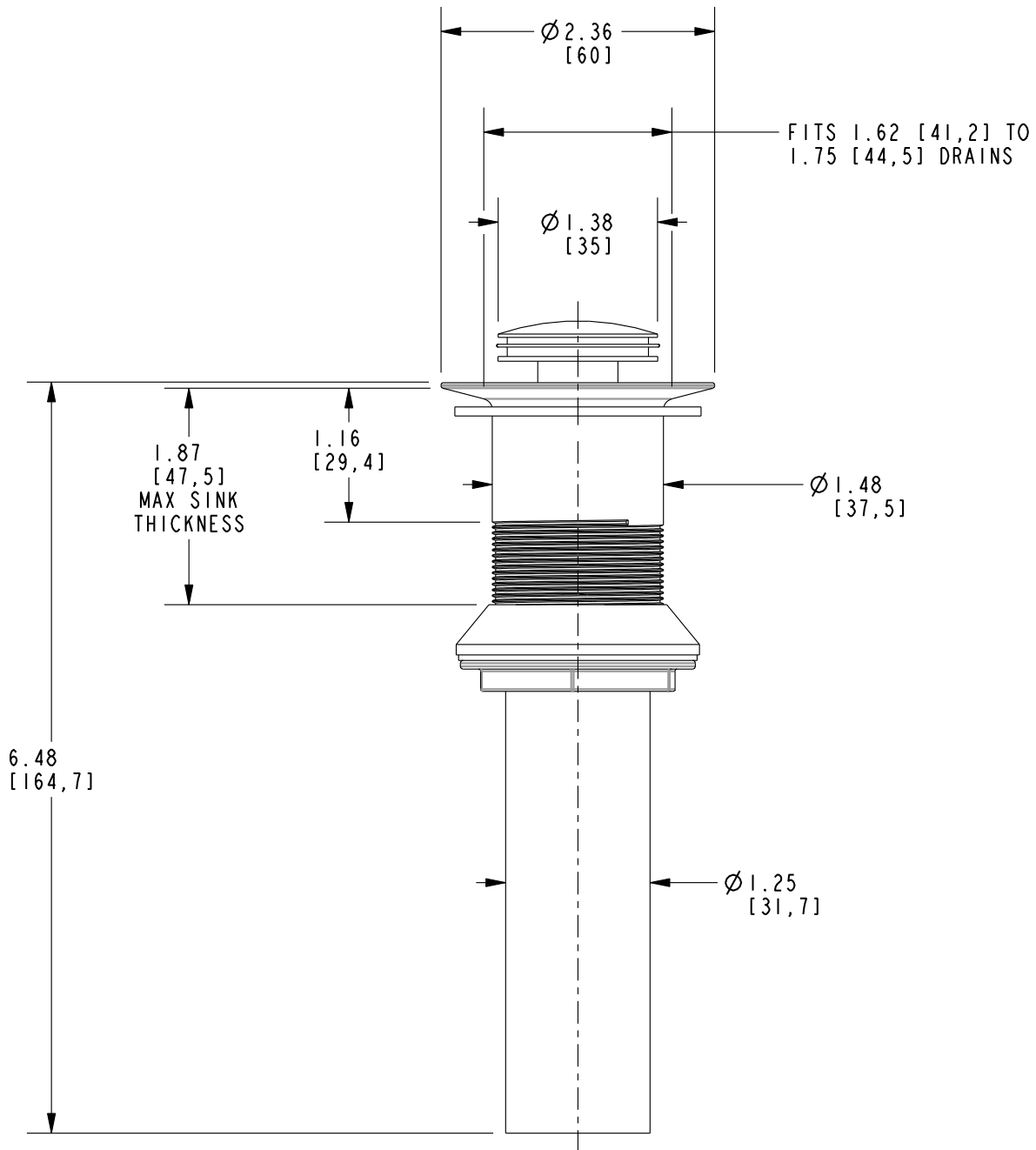
Model	Description	Colors Finishes
3301	Tank & Lavatory Drain Assembly	<input type="checkbox"/> 10B <input type="checkbox"/> 15 <input type="checkbox"/> 15S <input type="checkbox"/> 26 <input type="checkbox"/> Other

Product Specification Add "Color / Finish" suffix to Model number, below.

Lavatory drain shall be made of solid brass construction. Lavatory drain shall include Push Pop-Up Style functionality. Lavatory drain shall include 1-1/4" O.D. tailpiece. Lavatory Drain shall be Newport Brass Model 3301/____.

3301

Product Dimensions are provided for reference only. For specific product installation guidelines, please reference the Installation Instructions of the product being installed.



Brasstech Tank & Lavatory Drain Assembly 3301