

**Toilet Tissue Holder**  
**3270-1530**

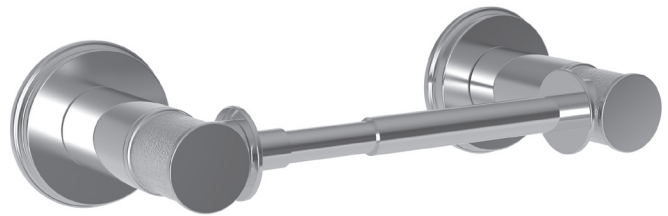
**Features**

- Solid brass construction
- Double-post design with spring-loaded, non-separating roller
- Complements Griffey product series

**Codes / Standards Compliance**

Meets or exceeds the following at date of manufacture:

- All applicable US Federal and State material regulations



**Colors / Finishes**

- 10B: Oil Rubbed Bronze
- 15: Polished Nickel
- 15S: Satin Nickel - PVD
- 26: Polished Chrome
- Other: Refer to the Newport Brass catalog for additional color/finish options.

**Specified Model**

Model	Description	Colors   Finishes				
3270-1530	Toilet Tissue Holder	<input type="checkbox"/> 10B	<input type="checkbox"/> 15	<input type="checkbox"/> 15S	<input type="checkbox"/> 26	<input type="checkbox"/> Other

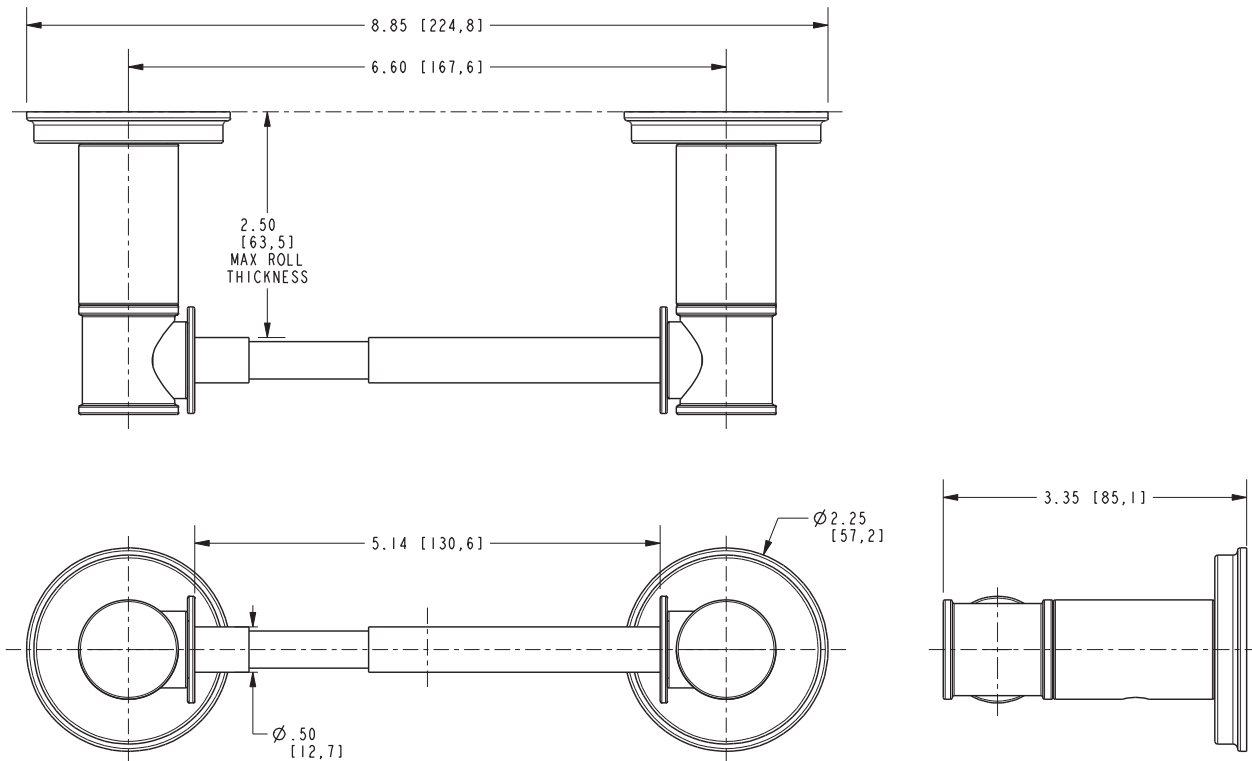
**Product Specification** Add "Color / Finish" suffix to Model number, below.

The Toilet Tissue Holder shall be made of solid brass construction and incorporate a double-post design utilizing a non-separating, spring-loaded roller. Toilet Tissue Holder shall complement Newport Brass Griffey product series. Toilet Tissue Holder shall be Newport Brass Model 3270-1530/\_\_\_\_\_.

# 3270-1530

## PRODUCT DIMENSIONS *(Units are in inches)*

Product Dimensions are provided for reference only. For specific product installation guidelines, please reference the Installation Instructions of the product being installed.



### Griffey Toilet Tissue Holder 3270-1530