

Towel Ring
3270-1410

Features

- Solid brass construction
- Single-post, horizontal design with hanging, closed ring
- Complements Griffey product series

Codes / Standards Compliance

Meets or exceeds the following at date of manufacture:

- All applicable US Federal and State material regulations

Colors / Finishes

- 10B: Oil Rubbed Bronze
- 15: Polished Nickel
- 15S: Satin Nickel - PVD
- 26: Polished Chrome
- Other: Refer to the Newport Brass catalog for additional color/finish options.



Specified Model

Model	Description	Colors Finishes				
3270-1410	Towel Ring	<input type="checkbox"/> 10B	<input type="checkbox"/> 15	<input type="checkbox"/> 15S	<input type="checkbox"/> 26	<input type="checkbox"/> Other

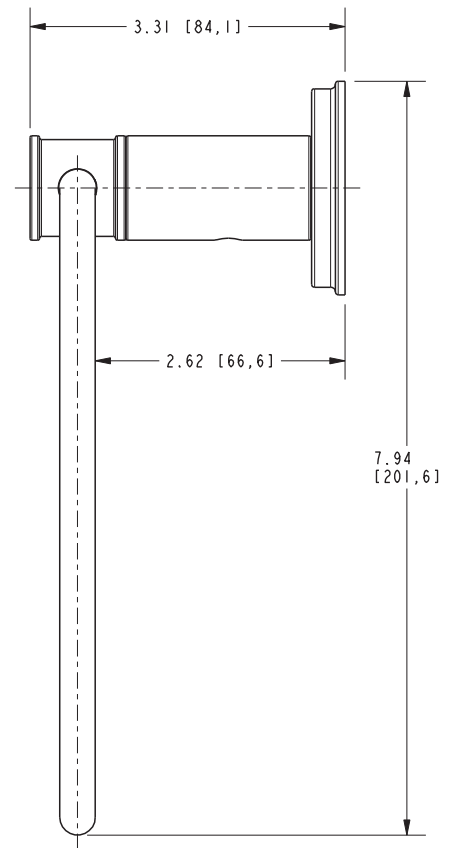
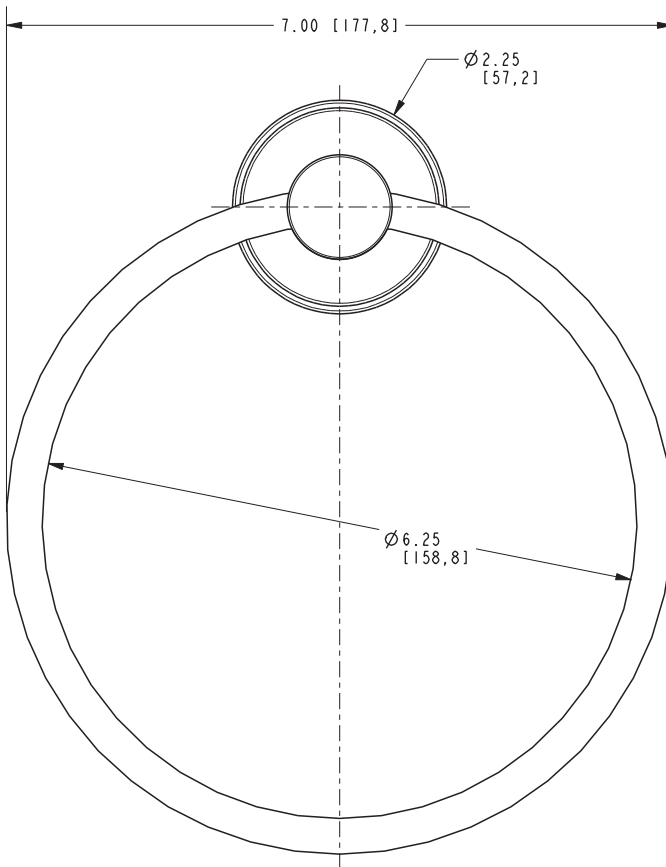
Product Specification Add "Color / Finish" suffix to Model number, below.

The Towel Ring shall be made of solid brass construction and incorporate a single-post, horizontal design with hanging, closed ring. Towel Ring shall complement Newport Brass Griffey product series. Towel Ring shall be Newport Brass Model 3270-1410/_____.

3270-1410

PRODUCT DIMENSIONS *(Units are in inches)*

Product Dimensions are provided for reference only. For specific product installation guidelines, please reference the Installation Instructions of the product being installed.



Griffey Towel Ring 3270-1410