

**Features**

- Solid brass construction
- Complements Taft product series
- Lever Handle is ADA compliant when used with Newport Brass valves  
 Intended for use with: Bidets - Balanced Pressure Shower - Roman Tub  
 Faucets - Shower Control Valves and Diverters - Wide Spread Faucets -  
 Wall Mounted Faucets

*Note: Also intended for use as a replacement Handle Trim assembly for deck and wall-mounted faucets, tubs and bidets.*

**Lever Handle Trim**  
**3-727**



**Codes / Standards Compliance**

Meets or exceeds the following at date of manufacture:

- All applicable US Federal and State material regulations

**Colors / Finishes**

- 10B: Oil Rubbed Bronze
  - 15: Polished Nickel
  - 15S: Satin Nickel - PVD
  - 26: Polished Chrome
- Other: Refer to the Newport Brass catalog for additional color/finish options.

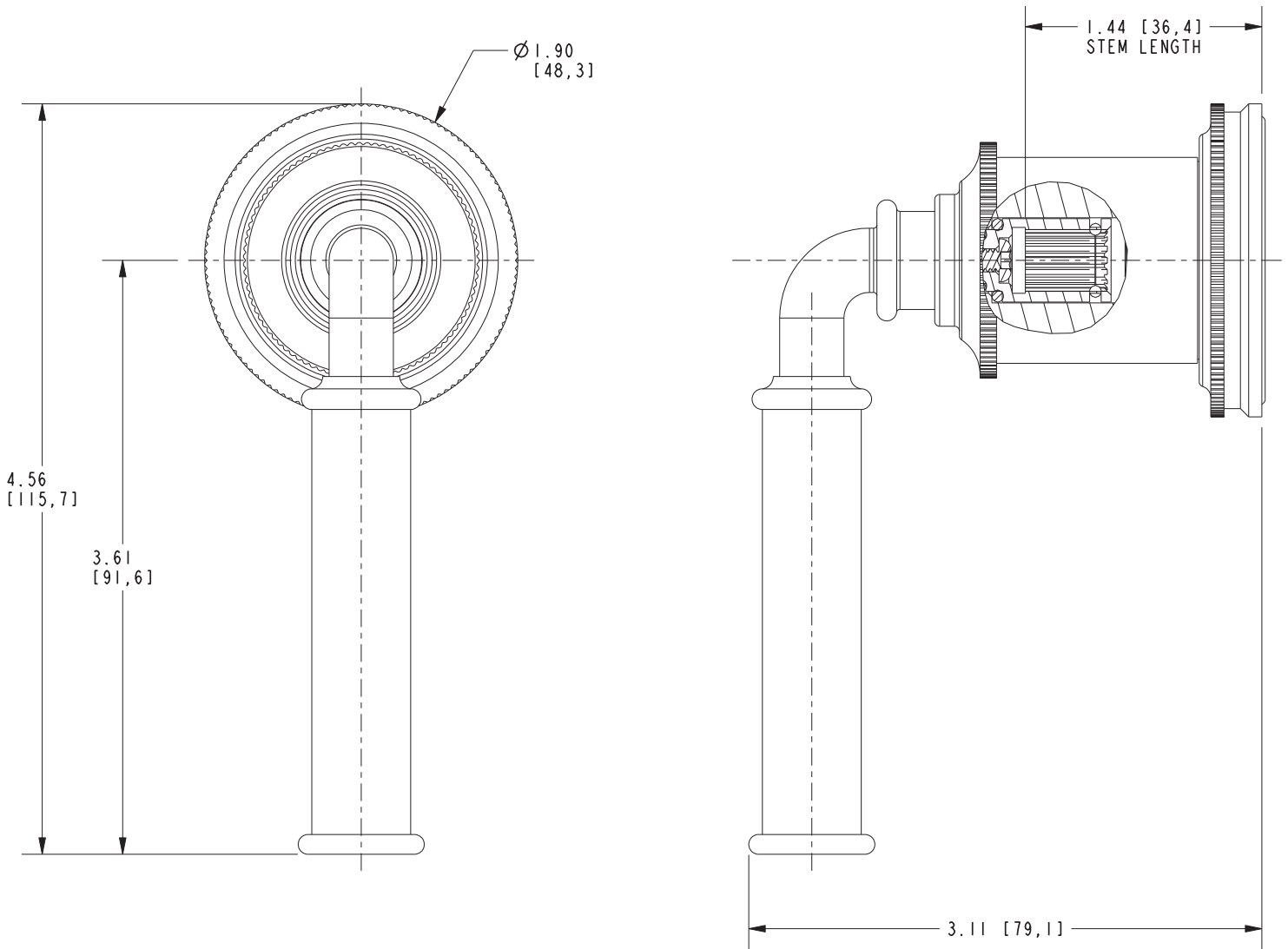
Specified Model						
Model	Description	Colors   Finishes				
3-727	Lever Handle Trim	<input type="checkbox"/> 10B	<input type="checkbox"/> 15	<input type="checkbox"/> 15S	<input type="checkbox"/> 26	<input type="checkbox"/> Other

**Product Specification:** Add size designator and "Color / Finish" suffix to Model number, below.

Trim components shall be of solid brass construction. Trim shall include Escutcheon and Handle. Handle assemblies can be used as part of a shower system specification for (a) shower control valves and diverters BUT ALSO can be ordered as replacement parts for (b) widespread faucets (c) wall mounted faucets (d) Roman Tub faucets and (e) BP shower handle replacements for nearly all collections (except Kiara, for example). Handle with Escutcheon Trim shall be Newport Brass Model 3-727/\_\_\_\_.

# 3-727

Product Dimensions are provided for reference only. For specific product installation guidelines, please reference the Installation Instructions of the product being installed.



## Taft Lever Trim Handle 3-727