

**Roman Tub Deck Trim**  
**3-3106**

**Features**

- Solid brass construction
- 7.08" (18.0 cm) spout height at outlet
- 7.92" (20.1 cm) spout reach (c-c)
- Intended for use with Newport Brass rough valve kit (Required Accessory) which incorporates the following:
  - Brass valve bodies and quick-connect spout fitting
  - Quarter-turn washerless ceramic disc 3/4" valve cartridges
- ADA Compliant



**Codes / Standards Compliance**

Meets or exceeds the following at date of manufacture:

- ASME A112.18.1/CSA B125.1
- IAMPO/cUPC
- IPC
- ADA & ICC/ANSI A117.1
- All applicable US Federal and State material regulations

**Colors / Finishes**

- 10B: Oil Rubbed Bronze
- 15: Polished Nickel
- 15S: Satin Nickel - PVD
- 26: Polished Chrome
- Other: Refer to the Newport Brass catalog for additional color/finish options.



**Specified Model**

Model	Description	Colors   Finishes
3-3106	Wall Tub Spout	<input type="checkbox"/> 10B <input type="checkbox"/> 15 <input type="checkbox"/> 15S <input type="checkbox"/> 26 <input type="checkbox"/> Other

**Required Accessory**

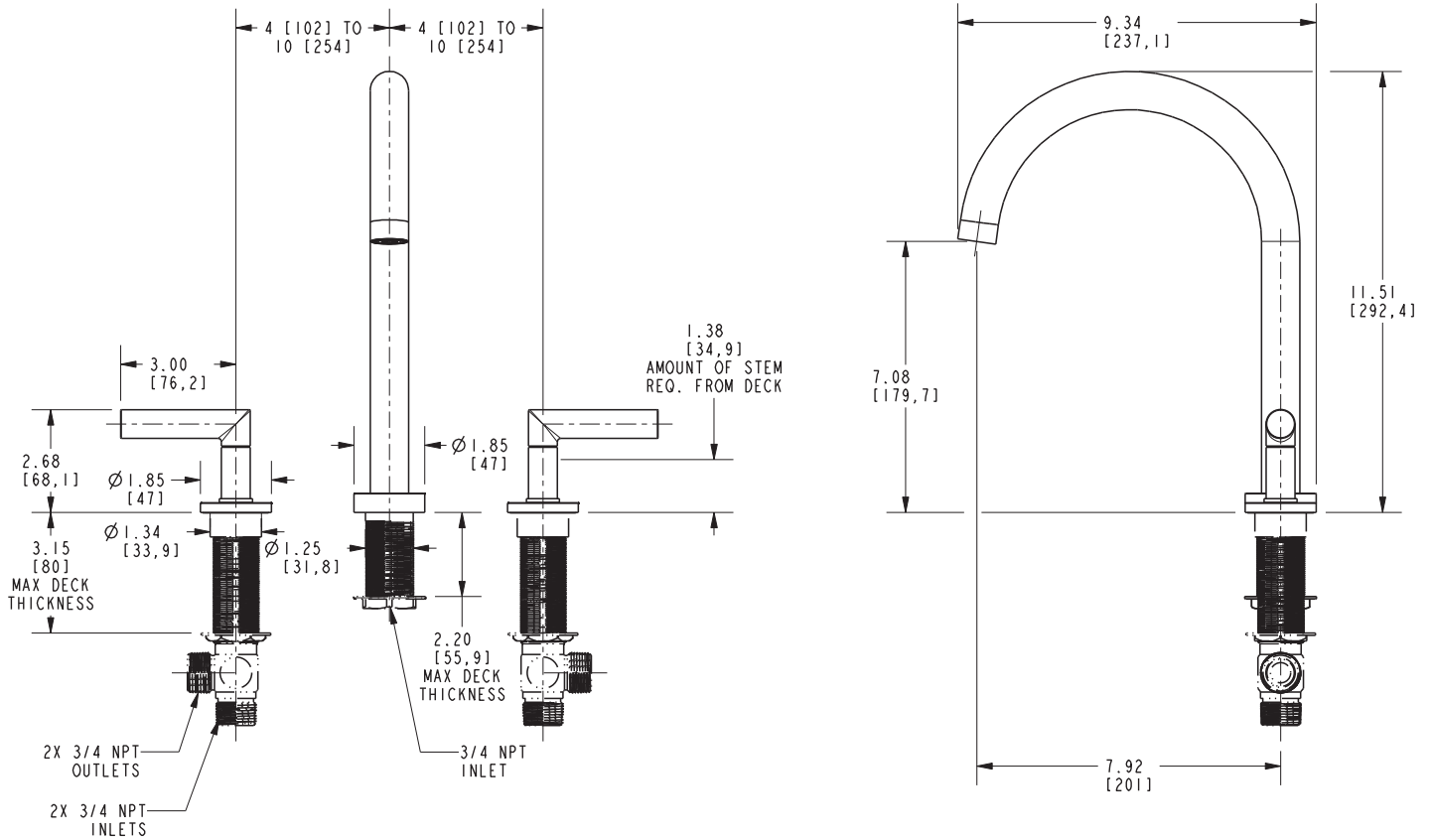
<b>System Element</b>	Deck Rub Valve
<b>Description</b>	2-Valve Assembly With Quick Connect Spout Adapter
<b>Inlet/Outlet Size</b>	3/4"
<b>Part Number</b>	1-697
<b>Image</b>	

**Product Specification** Add "Color / Finish" suffix to Model number, below.

The Roman Tub Deck Trim shall be made of solid brass construction. Roman Tub Deck Trim shall incorporate lever handles. Product shall incorporate a 7.08" (18.0 cm) spout height at outlet and a 7.92" (20.1 cm) spout reach (c-c). Rough valve kit shall incorporate brass valve bodies with quarter-turn washerless ceramic disc 3/4" valve cartridges and a spout nipple. Roman Tub Deck Trim shall be Newport Brass Model 3-3106/\_\_\_\_ and Newport Brass rough valve kit shall be 1-697.

# 3-3106

## PRODUCT DIMENSIONS *(Units are in inches)*



### Pavani Roman Tub Deck Trim 3-3106