

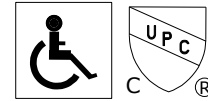
## SKYLAR

### ROMAN TUB DECK TRIM

# 3-2566

### Features

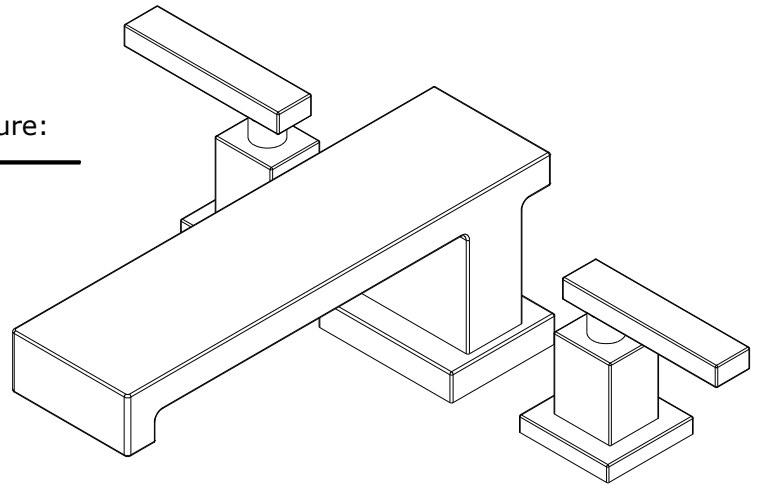
Solid brass construction  
 2.50" (6.4 cm) spout height at outlet  
 8.35" (21.2 cm) spout reach (c-c)  
 Intended for use with Newport Brass rough valve kit (Required Accessory) which i  
 Brass valve bodies and quick-connect spout fitting  
 Quarter-turn washerless ceramic disc 3/4" valve cartridges  
 ADA Compliant



### Codes / Standards Compliance

Meets or exceeds the following at date of manufacture:

ASME A112.18.1/CSA B125.1  
 IAMPO/cUPC  
 IPC  
 ADA & ICC/ANSI A117.1  
 All applicable US Federal and State material regulations

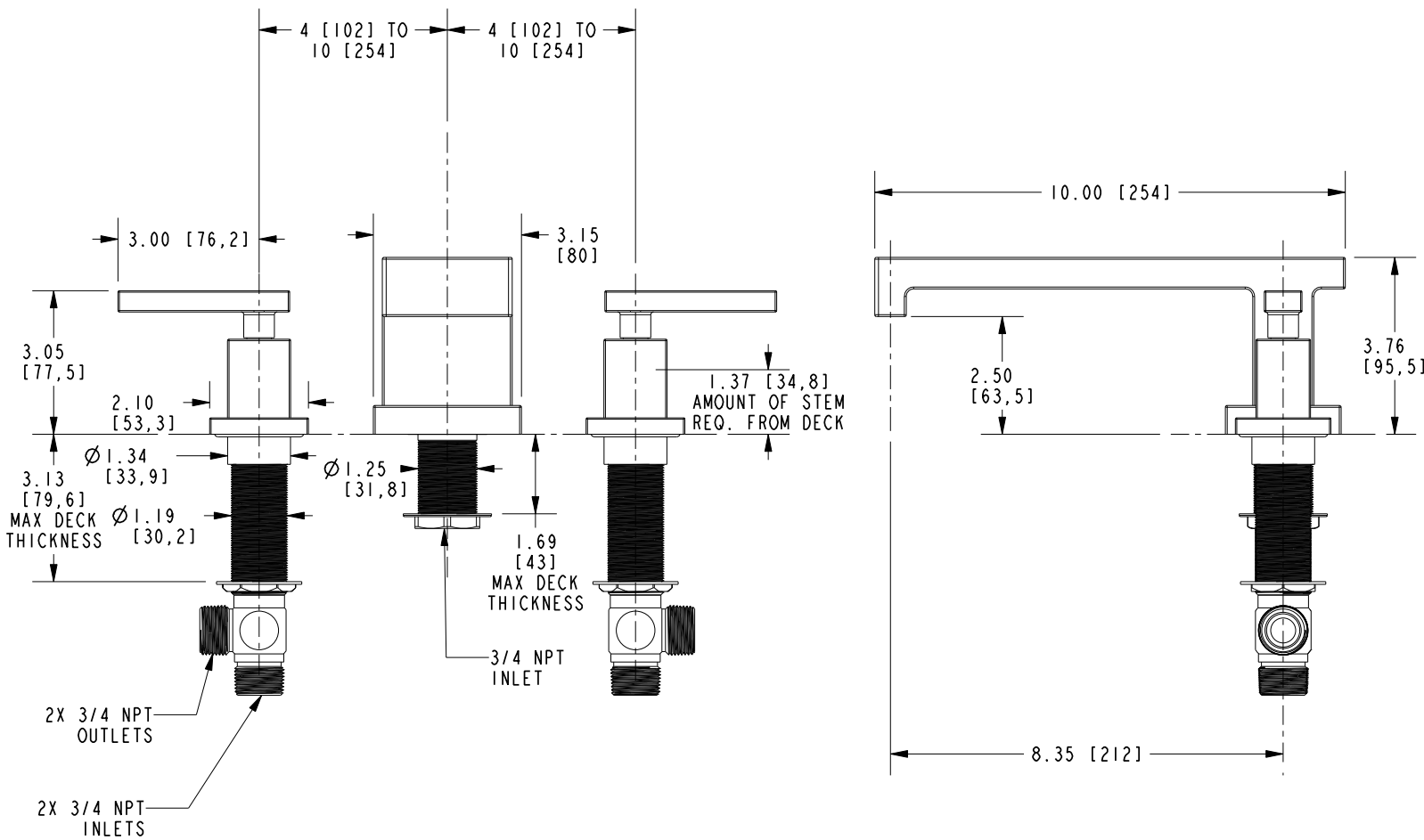


ACCESSORY REQUIRED	
<b>System Element</b>	Deck Tub Valve
<b>Description</b>	2-Valve Assembly With Quick Connect Spout Adapter
<b>Inlet/Outlet Size</b>	3/4" / 3/4"
<b>Part Number</b>	1-665
<b>Image</b>	

# 3-2566

## PRODUCT DIMENSIONS *(Units are in inches)*

Product Dimensions are provided for reference only. For specific product installation guidelines, please reference the Installation Instructions of the product being installed.



ROMAN TUB DECK TRIM

**3-2566**

Page 2 of 2  
EN- 4882  
REV B

**NEWPORT BRASS**  
Flawless Beauty. From Faucet to Finish.

t: 949.417.5207 | [www.newportbrass.com](http://www.newportbrass.com)  
©2024 Brasstech, Inc.