

**Features**

- Solid brass construction
- ADA compliant traditional cross handles
- 4-3/4" (12.1 cm) spout height at outlet
- 9-1/4" (23.5 cm) spout reach (c-c)
- 1.8 gallons (6.7 liters) per minute handshower maximum flow rate
- Intended for use with Newport Brass rough valve kit (Required Accessory) which incorporates the following:
  - Brass valve bodies and spout nipple
  - Quarter-turn washerless ceramic disc 3/4" valve cartridges
  - Diverter valve and hoses as needed for handshower

**Roman Tub with Handshower Deck Trim**

**3-2447**



**Codes / Standards Compliance**

Meets or exceeds the following at date of manufacture:

- ASME A112.18.1/CSA B125.1
- IAPMO/cUPC
- IPC
- ADA
- ICC/ANSI A117.1
- California Energy Commission (CEC)
- All applicable US Federal and State material regulations

**Colors / Finishes**

- 10B: Oil Rubbed Bronze
- 15: Polished Nickel
- 15S: Satin Nickel - PVD
- 26: Polished Chrome
- Other: Refer to the Newport Brass catalog for additional color/finish options.



**Specified Model**

Model	Description	Colors   Finishes				
3-2447	Roman Tub with Handshower Deck Trim	<input type="checkbox"/> 10B	<input type="checkbox"/> 15	<input type="checkbox"/> 15S	<input type="checkbox"/> 26	<input type="checkbox"/> Other

**Required Accessory: Trim, above, and Rough Valve Kit, below, must both be specified**

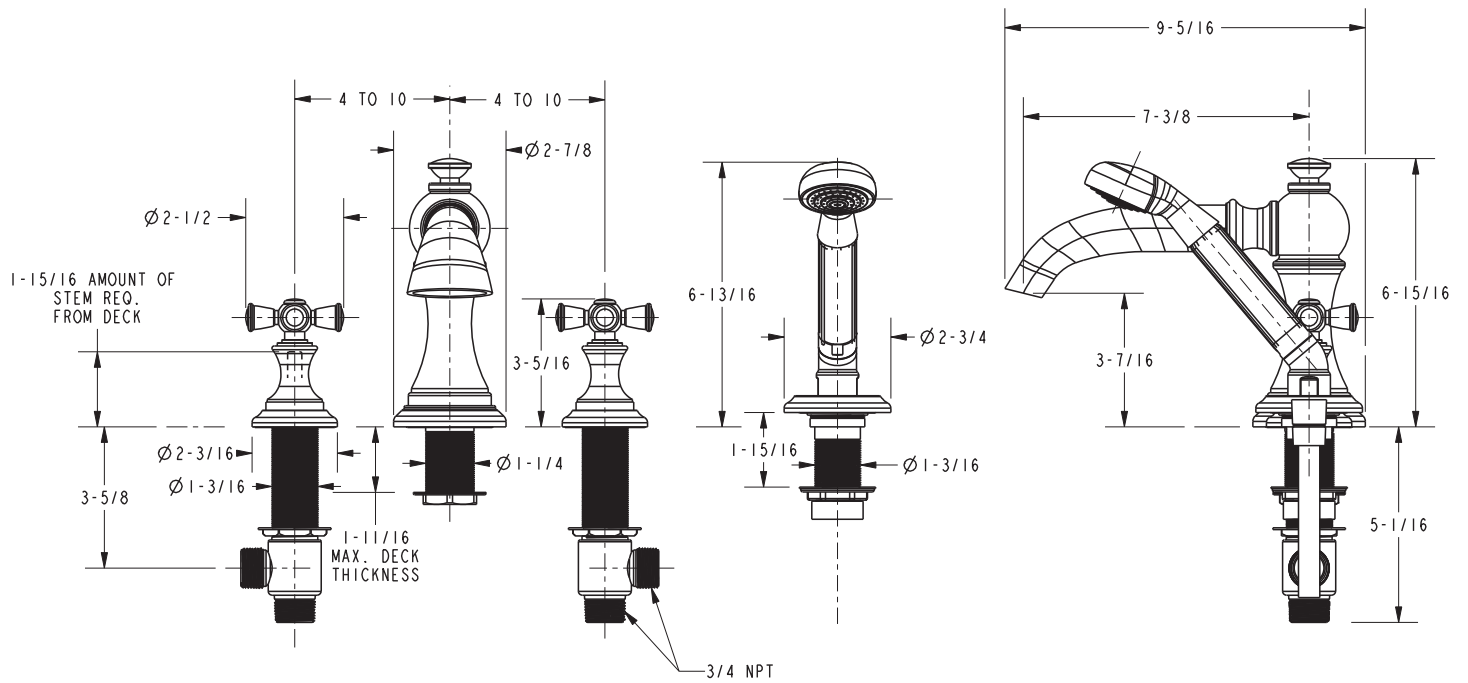
Application	Roman Tub with Handshower				
Description	Hot Valve	Cold Valve	Spout Quick-Connect Fitting	Poly-Braided Hose	Handshower Diverter
Inlet/Outlet	3/4"	3/4"	3/4"	3/4"	3/4" / 1/2"
Part Number	1-503				
Image					

**Product Specification: Add "Color / Finish" suffix to Model number, below.**

The Roman Tub with Handshower Deck Trim shall be made of solid brass construction. Roman Tub with Handshower Deck Trim shall incorporate ADA compliant traditional cross handles. Product shall incorporate a 4-3/4" (12.1 cm) spout height at outlet and a 9-1/4" (23.5 cm) spout reach (c-c). Product shall feature a solid brass handshower with a 1.8 gallons (6.7 liters) per minute maximum flow rate. Rough valve kit shall incorporate brass valve bodies with quarter-turn washerless ceramic disc 3/4" valve cartridges, a quick-connect spout fitting and a diverter valve with hoses as needed for handshower. Roman Tub with Handshower Deck Trim shall be Newport Brass Model 3-2447/\_\_\_\_\_ and Newport Brass rough valve kit shall be 1-503.

# 3-2447

## PRODUCT DIMENSIONS *(Units are in inches)*



### Sutton Roman Tub with Handshower Deck Trim 3-2447