

AYLESBURY

Roman Tub with Handshower Deck Trim 3-2417

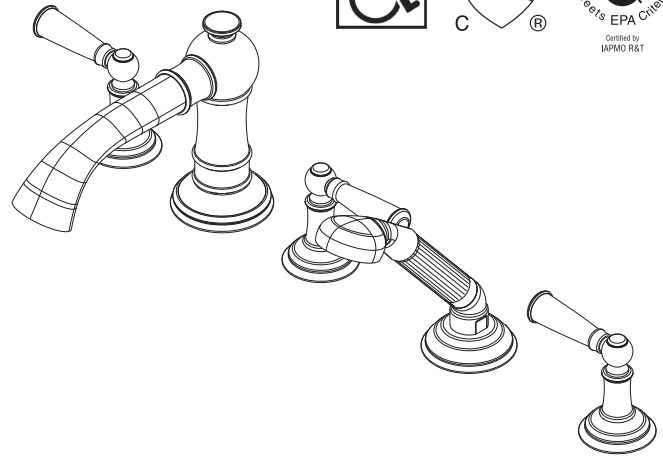
Features

- Solid brass construction
- ADA compliant traditional cross handles
- 3-1/4" (8.3 cm) spout height at outlet
- 7-5/16" (18.6 cm) spout reach (c-c)
- 1.8 gallons (6.7 liters) per minute maximum flow rate showerhead
- Intended for use with Newport Brass rough valve kit (Required Accessory) which incorporates the following:
 - Brass valve bodies and quick-connect spout fitting
 - Quarter-turn washerless ceramic disc 3/4" valve cartridges
 - Diverter valve and hoses as needed for handshower

Codes / Standards Compliance

Meets or exceeds the following at date of manufacture:

- ASME A112.18.1/CSA B125.1
- IAPMO/cUPC
- IPC
- ADA
- ICC/ANSI A117.1
- EPA Watersense
- All applicable US Federal and State material regulations



Colors / Finishes

- 15: Polished Nickel
- 15A: Antique Nickel
- 26: Polished Chrome
- 10B: Oil Rubbed Bronze
- Other: Refer to the Newport Brass catalog for additional color/finish options.

Specified Model

Model	Description	Colors / Finishes
3-2417	Roman Tub with Handshower Deck Trim	<input type="checkbox"/> 15 <input type="checkbox"/> 15A <input type="checkbox"/> 26 <input type="checkbox"/> 10B <input type="checkbox"/> Other

Required Accessory:

Trim, above, and Rough Valve Kit, below, must both be specified.

Application	Roman Tub			Roman Tub with Handshower					
	Hot Valve	Cold Valve	Spout Quick-Connect Fitting	Hot Valve	Cold Valve	Spout Quick-Connect Fitting	Poly-Braided Hose	Handshower Diverter	H/S Flange Hardware
Inlet/Outlet Size	3/4"	3/4"	3/4"	3/4"	3/4"	3/4"	1/2"	3/4" / 1/2"	-
Part Number	<input type="checkbox"/> 1-502			<input type="checkbox"/> 1-503					
Image									

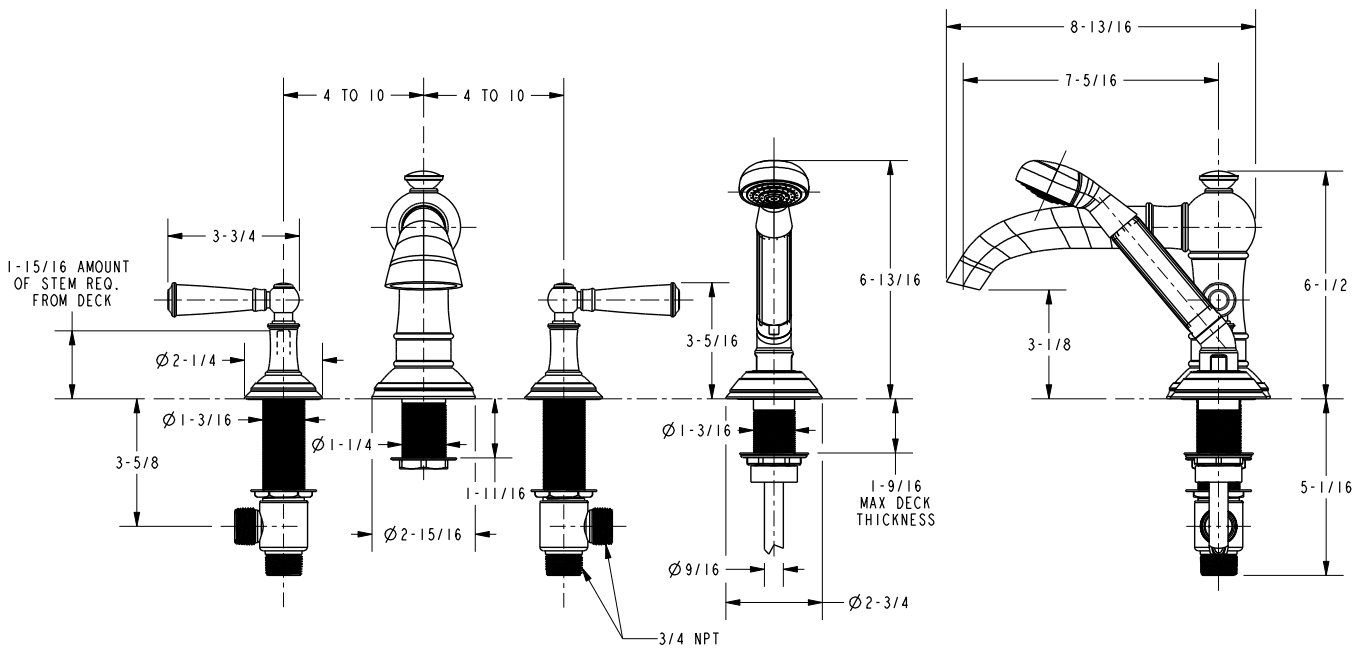
Product Specification:

Add "Color / Finish" suffix to Tub Deck Trim model number, below.

The Roman Tub with Handshower Deck Trim shall be made of solid brass construction. Roman Tub with Handshower Deck Trim shall incorporate ADA compliant traditional lever handles. Product shall incorporate a 3-1/4" (8.3 cm) spout height at outlet and a 7-5/16" (18.6 cm) spout reach (c-c). Rough valve kit shall incorporate brass valve bodies with quarter-turn washerless ceramic disc 3/4" valve cartridges, a quick-connect spout fitting and a diverter valve with hoses as needed for handshower. Roman Tub with Handshower Deck Trim shall be Newport Brass Model 3-2417/____ and Newport Brass rough valve kit shall be 1-503.

3-2417

Product Dimensions (units are in inches)



Aylesbury Roman Tub with Handshower Deck Trim
3-2417

NEWPORT BRASS
Flawless Beauty. From Faucet to Finish.™