

VICTORIA

Tub and Shower Trim

3-1762BP

Also 3-322



3-1762BP



3-322

Features

- Solid brass construction
- Face plate with ADA compliant traditional cross handle and diverter pull-knob
- 1.8 gallons (6.7 liters) per minute maximum flow rate showerhead
- ADA compliant traditional cross handle assembly and insert options for control valve
- Intended for use with Newport Brass rough valve(s) as specified (Required Accessory)

Codes / Standards Compliance

Meets or exceeds the following at date of manufacture:

- ASME A112.18.1/CSA B125.1
- IAPMO/cUPC
- IPC
- ADA
- ICC/ANSI A117.1
- ASSE 1016
- Energy Policy Act of 1992
- EPA Watersense
- All applicable US Federal and State material regulations

Colors / Finishes

- 10B: Oil Rubbed Bronze
- 15: Polished Nickel
- 15S: Satin Nickel - PVD
- 26: Polished Chrome
- Other: Refer to the Newport Brass catalog for additional color/finish options.

Specified Model

Model	Description	Colors Finishes				
3-1762BP	Tub and Shower Trim	<input type="checkbox"/> 10B	<input type="checkbox"/> 15	<input type="checkbox"/> 15S	<input type="checkbox"/> 26	<input type="checkbox"/> Other
3-322	Shower System Control Valve Trim (Escutcheon/Handle)	<input type="checkbox"/> 10B	<input type="checkbox"/> 15	<input type="checkbox"/> 15S	<input type="checkbox"/> 26	<input type="checkbox"/> Other

Required Accessory

Application	Tub & Shower Valve (Choose One)		Control Valve (Optional)
Description	BP w/Diverter	BP w/Diverter	Diverter (3/4 Port)
Inlet/Outlet Size	1/2"	1/2"	1/2"
Part Number	<input type="checkbox"/> 1-595	<input type="checkbox"/> 1-685	<input type="checkbox"/> 1-617
Image			

Product Specification: Add size designator and "Color / Finish" suffix to Model number, below.

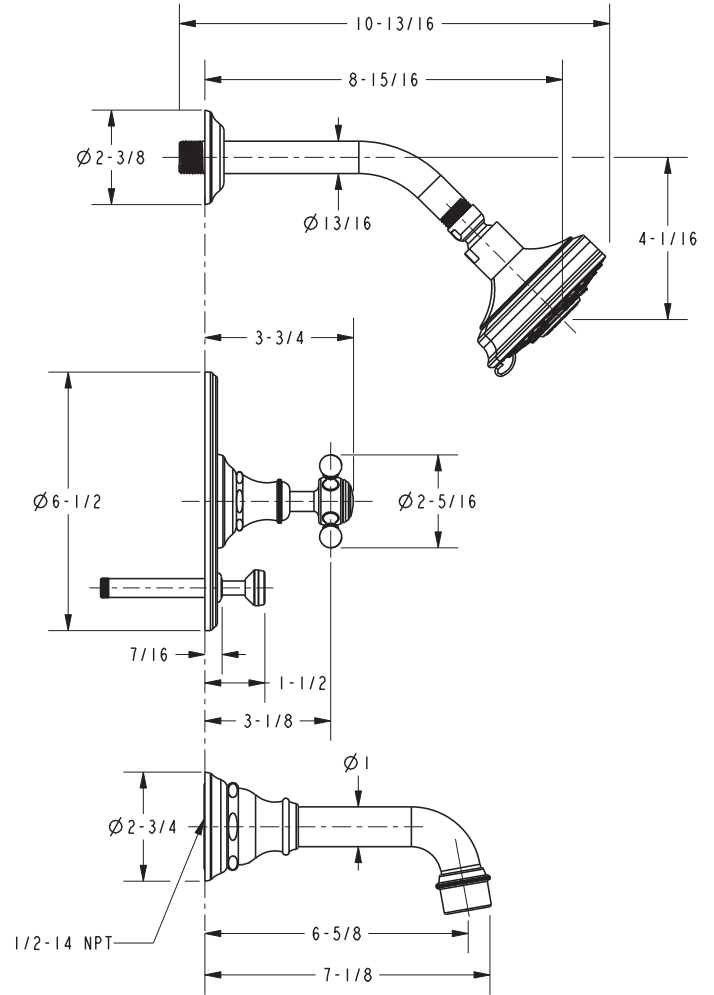
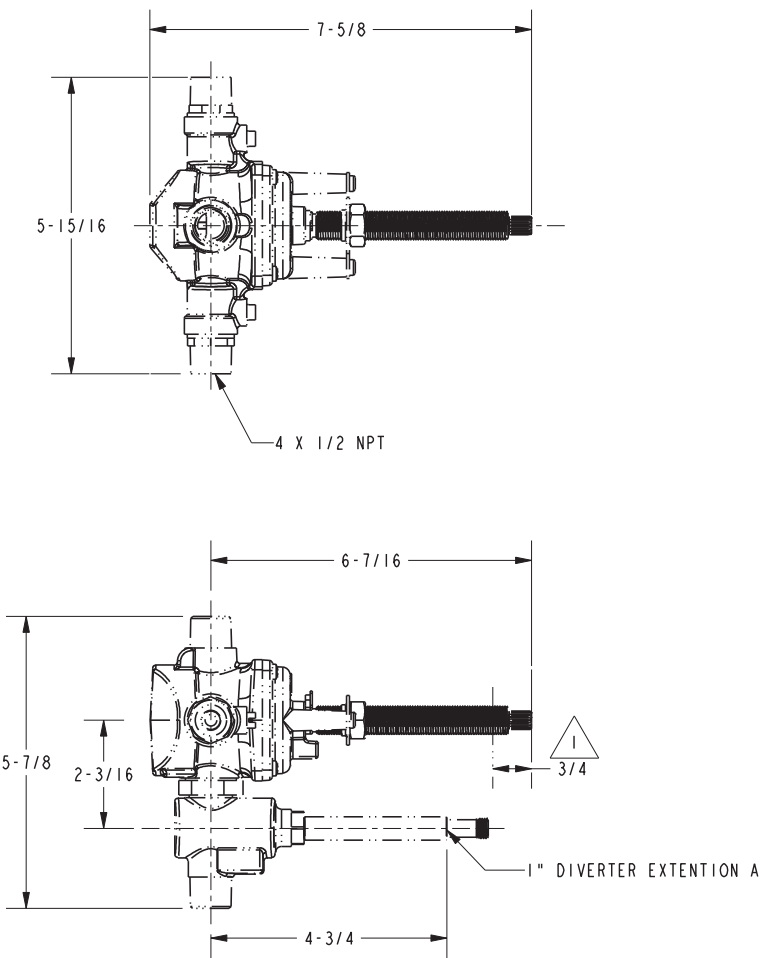
The single-control Tub and Shower Trim shall be made of solid brass construction. Tub and Shower Trim shall include showerhead with arm and flange, tub spout and faceplate with ADA compliant handle and diverter pull-knob. Showerhead shall have a maximum flow rate of 1.8 gallons (6.7 liters) per minute. Shower System Control Valve Trim(s) (Escutcheon/Handle) shall be ADA compliant when used with specified Shower System Control Valve. Tub and Shower Trim shall be Newport Brass Model 3-1762BP/____ and single-control Tub and Shower rough valve shall be Newport Brass Model 1-____. [Optional Shower System Control Valve Trim (Escutcheon/Handle) shall be 3-322____/____ and Shower System Control Valve shall be 1-617].

3-1762BP

PRODUCT DIMENSIONS *(Units are in inches)*

NOTES:

1. CUT ALL-THREAD 3/4" SHORTER THAN STEM.



Victoria Tub and Shower Trim

3-1762BP

Page 2 of 2 Spec_3-1762BP_d_3.18

NEWPORT BRASS
Flawless Beauty. From Faucet to Finish.™

t: 949.417.5207 | www.newportbrass.com
©2016 Brasstech, Inc.