

Features

- Solid brass construction
- Temperature-adjust handle for thermostatic valve
- ADA compliant traditional lever handle assembly and insert options for control valve
- Intended for use with Newport Brass rough valve(s) as specified (Required Accessory)

Thermostatic Shower System Trim
3-1664TR

Also 2-260, 3-280LB

Codes / Standards Compliance

Meets or exceeds the following at date of manufacture:

- ASME A112.18.1/CSA B125.1
- IAPMO/cUPC
- IPC
- ADA
- ICC/ANSI A117.1
- ASSE 1016
- All applicable US Federal and State material regulations

Colors / Finishes

- 10B: Oil Rubbed Bronze
- 15: Polished Nickel
- 15S: Satin Nickel - PVD
- 26: Polished Chrome
- Other: Refer to the Newport Brass catalog for additional color/finish options.



3-280LB



2-260

Specified Model

Model	Description	Colors Finishes				
3-1664TR	Thermostatic Shower System Trim	<input type="checkbox"/> 10B	<input type="checkbox"/> 15	<input type="checkbox"/> 15S	<input type="checkbox"/> 26	<input type="checkbox"/> Other
2-260	Optional Extension for Thermostatic Shower System Valve Trim	<input type="checkbox"/> 10B	<input type="checkbox"/> 15	<input type="checkbox"/> 15S	<input type="checkbox"/> 26	<input type="checkbox"/> Other
3-280LB	Shower System Control Valve Trim (Escutcheon/Handle, Plain Insert)	<input type="checkbox"/> 10B	<input type="checkbox"/> 15	<input type="checkbox"/> 15S	<input type="checkbox"/> 26	<input type="checkbox"/> Other

Required Accessory:

Application	Shower System Valve	Shower System Control Valves				
		Flow Control (CCW Off)		Flow Control (CW Off)		
Description	Thermostatic	Flow Control (CCW Off)	Flow Control (CW Off)	Flow Control (CW Off)	Flow Control (CW Off)	
Inlet/Outlet Size	3/4"	1/2"	3/4"	1/2"	3/4"	3/4" (20pt spline)
Part Number	<input type="checkbox"/> 1-540	<input type="checkbox"/> 1-606c	<input type="checkbox"/> 1-607c	<input type="checkbox"/> 1-606h	<input type="checkbox"/> 1-607h	<input type="checkbox"/> NA
Image						

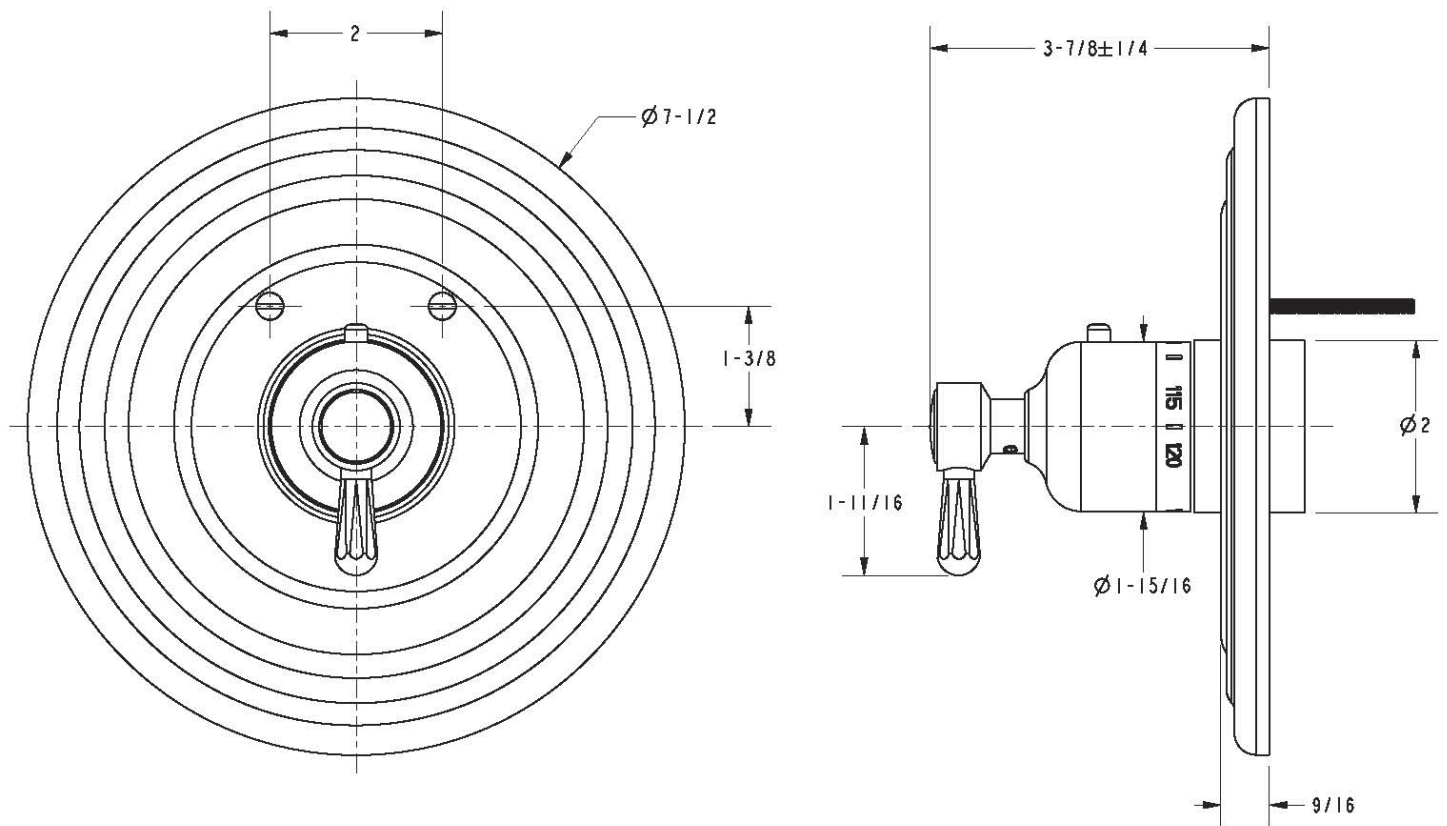
Note: The use of one 1-606H/C or 1-607H/C flow control valve and one 1-617 diverter valve can be configured to meet the requirements of CALGreen Bldg. Code (2010).

Product Specification Add "Color / Finish" suffix to Model number, below.

The Thermostatic Shower System Trim shall be made of solid brass construction. Thermostatic Shower System Trim shall include a faceplate and temperature-adjust handle. Shower System Control Valve Trim(s) (Escutcheon/Handle) shall be ADA compliant when used with specified Shower System Control Valve(s). Thermostatic Shower System Trim shall be Newport Brass Model 3-1664TR/____ and Thermostatic Shower System Valve shall be Newport Brass Model 1-540. Shower System Control Valve Trim (Handle/Escutcheon) shall be 3-280LB/____ and Shower System Control Valve(s) shall be 1-60____ (and 1-60____). [Metal Insert for System Control Valve Trim (Escutcheon/Handle) shall be 2-532/ ____.]

3-1664TR

PRODUCT DIMENSIONS (Units are in inches)



Astaire Thermostatic Shower System Trim
3-1664TR

NEWPORT BRASS
Flawless Beauty. From Faucet to Finish.™