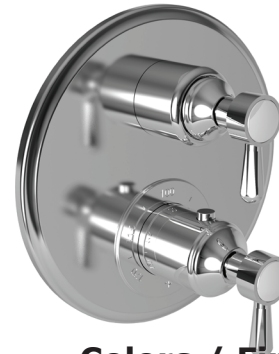


**Features**

- Solid brass construction
- Temperature-adjust handle for thermostatic valve
- Lever handle assembly for control valve
- Intergrated volume control diverter for directed, variable water flow
- Maximum temperature override button
- Intended for use with Newport Brass Luxtherm® 1/2"rough valve(s) as specified (Required Accessory)
- ADA Compliant

**Thermostatic Shower System Trim**  
**3-1663TR**



**Colors / Finishes**

- 10B: Oil Rubbed Bronze
- 15: Polished Nickel
- 15S: Satin Nickel - PVD
- 26: Polished Chrome
- Other: Refer to the Newport Brass catalog for additional color/finish options.

**Codes / Standards Compliance**

Meets or exceeds the following at date of manufacture:

- ASME A112.18.1/CSA B125.1
- IAPMO/cUPC
- IPC
- ADA
- ICC/ANSI A117.1
- All applicable US Federal and State material regulations

**Specified Model**

| Model    | Description                     | Colors   Finishes            |                             |                              |                             |                                |
|----------|---------------------------------|------------------------------|-----------------------------|------------------------------|-----------------------------|--------------------------------|
| 3-1663TR | Thermostatic Shower System Trim | <input type="checkbox"/> 10B | <input type="checkbox"/> 15 | <input type="checkbox"/> 15S | <input type="checkbox"/> 26 | <input type="checkbox"/> Other |

**Required Accessory**

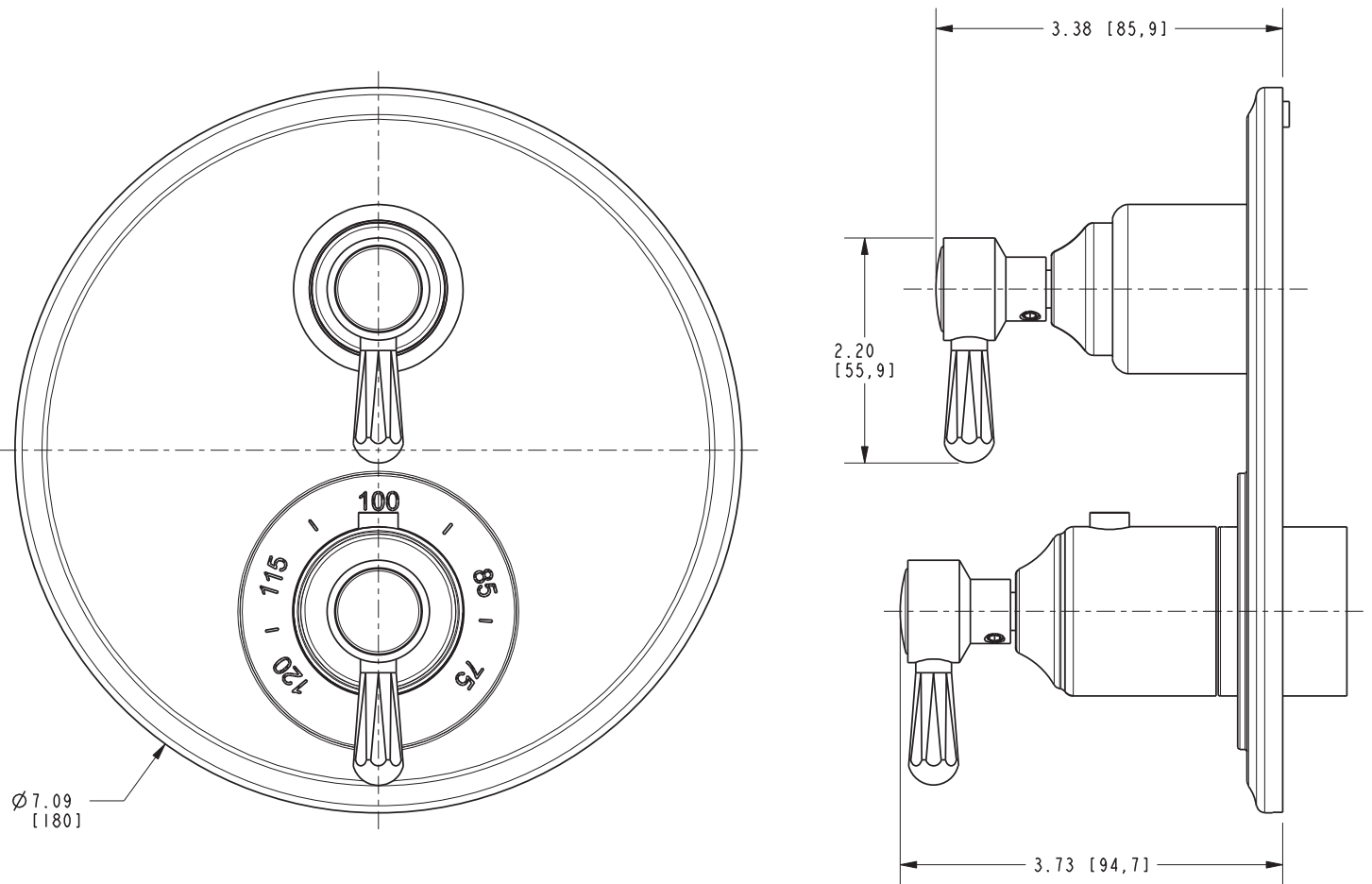
| Application       | Shower System Valve (Choose One)      |                                       |                                       |                                                |                                                        | [Optional]                          |
|-------------------|---------------------------------------|---------------------------------------|---------------------------------------|------------------------------------------------|--------------------------------------------------------|-------------------------------------|
| Description       | Thermostatic with Single Flow Control | Thermostatic with 2- Way Flow Control | Thermostatic with 3- Way Flow Control | Thermostatic with 3- Way Calgreen Flow Control | 2- Way Flow Control with Share Function on Ports 1 & 2 | [Optional Valve Trim Extension Kit] |
| Inlet/Outlet Size | 1/2"                                  | 1/2"                                  | 1/2"                                  | 1/2"                                           | 1/2"                                                   | 1/2"                                |
| Part Number       | <input type="checkbox"/> 1-741        | <input type="checkbox"/> 1-742        | <input type="checkbox"/> 1-743        | <input type="checkbox"/> 1-744                 | <input type="checkbox"/> 1-745                         | <input type="checkbox"/> 20-146     |
| Image             |                                       |                                       |                                       |                                                |                                                        |                                     |

**Product Specification:** Add size designator and "Color / Finish" suffix to Model number, below.

The Thermostatic Shower System Trim shall be made of solid brass construction. Thermostatic Shower System Trim shall include a faceplate, diverter, and temperature-adjust handles. Shower System Control Valve Trim(s) (Escutcheon/Handles) shall be ADA compliant when used with specified Shower System Control Valve(s). Thermostatic Shower System Trim shall be Newport Brass Model 3-1663TR/\_\_\_\_ and Thermostatic Shower System Valve shall be Newport Brass Model 1-74\_\_\_. [Optional Extension Kit for 1/2" Thermostatic Shower System Valve Trim shall be Newport Brass Model 20-146/ \_\_\_\_].

# 3-1663TR

**PRODUCT DIMENSIONS** *(Units are in inches)*



**Bevelle Thermostatic Shower System Trim**  
**3-1663TR**