

Features

- Solid brass construction
- Quarter-turn washerless ceramic disc valve cartridge
- ADA compliant traditional cold lever handle
- Spout assembly with integral supply hoses
- 6.75" (17.1 cm) spout height at outlet
- 4.74" (12.0 cm) spout reach (c-c)
- For single hole configurations
- ADA Compliant
- 1.5 GPM (5.7 LPM) Max

Cold Water Dispenser Faucet
2940-5623



Codes / Standards Compliance

Meets or exceeds the following at date of manufacture:

- ASME A112.18.1/CSA B125.1
- IAMPO/cUPC
- NSF/ANSI 61, SECTION 9
- NSF/ANSI 372
- IPC
- ADA & ICC/ANSI A117.1
- Energy Policy Act of 1992
- California Energy Commission
- All applicable US Federal and State material regulations

Colors / Finishes

- 10B: Oil Rubbed Bronze
- 15: Polished Nickel
- 15S: Satin Nickel - PVD
- 26: Polished Chrome
- Other: Refer to the Newport Brass catalog for additional color/finish options.



Specified Model

Model	Description	Colors Finishes
2940-5623	Cold Water Dispenser Faucet	<input type="checkbox"/> 10B <input type="checkbox"/> 15 <input type="checkbox"/> 15S <input type="checkbox"/> 26 <input type="checkbox"/> Other
6-293	Integrated Air Gap Base	N/A

** The use of an air gap is required for dispenser faucets drawing from a reverse osmosis filtration system. The Integrated Air Gap Base (6-293) affords the functionality of a separate air gap within the design of the product as depicted. Failure to specify the Integrated Air Gap Base (6-293) will result in a product constructed using the standard base (no internal air gap).

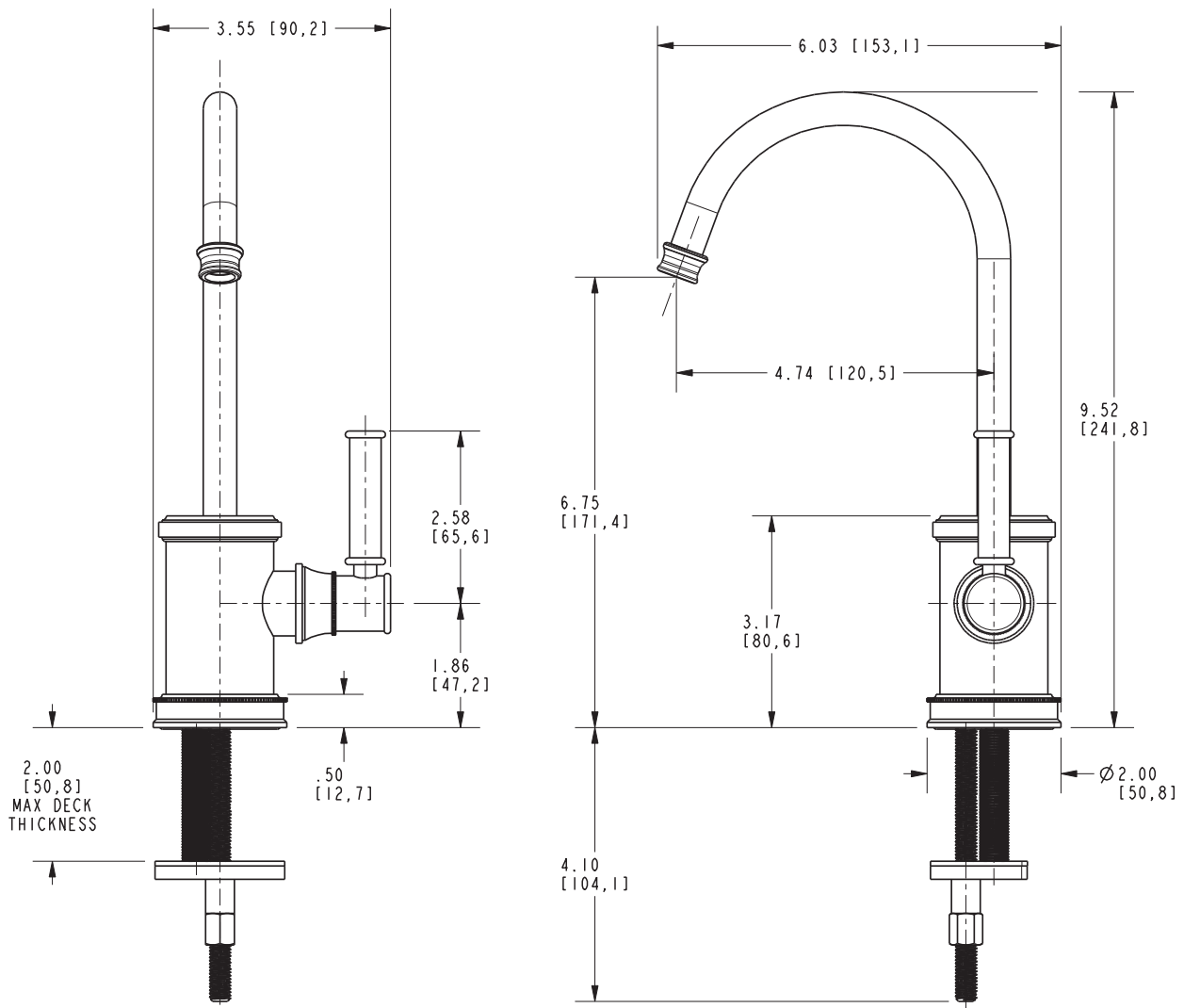
Product Specification Add "Color / Finish" suffix to Model number, below.

The Cold Water Dispenser Faucet shall be made of solid brass construction. Faucet shall incorporate a spout assembly with integral supply hoses and feature a quarter-turn washerless ceramic disc valve cartridge. Faucet shall incorporate an ADA compliant traditional cold lever handle design. Cold Water Dispenser Faucet shall have a 1.5 gallon (5.7 liters) per minute maximum flow rate and accommodate single hole configurations. Product shall incorporate a 6.75" (17.1 cm) spout height at outlet and a 4.74" (12.0 cm) spout reach (c-c). Cold Water Dispenser Faucet shall be Newport Brass Model 2940-5623/____. [Integrated Air Gap Base shall be Newport Brass Model 6-293/____].

2940-5623

PRODUCT DIMENSIONS *(Units are in inches)*

Product Dimensions are provided for reference only. For specific product installation guidelines, please reference the Installation Instructions of the product being installed.



Taft Hot Water Dispenser
2940-5623