

Tub and Handshower Set
2040-4261

Features

- Brass Construction
- Euro-motion ceramic disc 40 mm valve cartridge
- 9.25 gallons (35 liters) per minute spout maximum flow rate
- 3/4" braided hot and cold supply lines (with 1/2" adapters)
- 37.99" (96.5 cm) tub spout height at outlet
- 8.66" (22.0 cm) tub spout reach (center-center)
- Contemporary handshower design of resin construction
- Floor mounting bracket with integral base and escutcheon
- ADACompliant (Handles Only)
- 1.8 GPM (6.8 LPM) Max, Handshower Only

Codes / Standards Compliance

Meets or exceeds the following at date of manufacture:

- ASME A112.18.1/CSA B125.1
- IAMPO/cUPC
- IPC
- ADA & ICC/ANSI A117.1 (Handle Only)
- Energy Policy Act of 1992
- EPA WaterSense
- California Energy Commission
- ASME A112.18.3 (Back Flow)
- All applicable US Federal and State material regulations

Colors / Finishes


- 10B: Oil Rubbed Bronze
- 15: Polished Nickel
- 15S: Satin Nickel - PVD
- 26: Polished Chrome
- Other: Refer to the Newport Brass catalog for additional color/finish options.



Specified Model

Model	Description	Colors Finishes
2040-4261	Freestanding Exposed Tub and Handshower Set	<input type="checkbox"/> 10B <input type="checkbox"/> 15 <input type="checkbox"/> 15S <input type="checkbox"/> 26 <input type="checkbox"/> Other

Optional Accessory:

Model	<input type="checkbox"/> 1-339
Descriptions	Freestanding Tub Fill Rough Kit (Floor Mount)
Image	

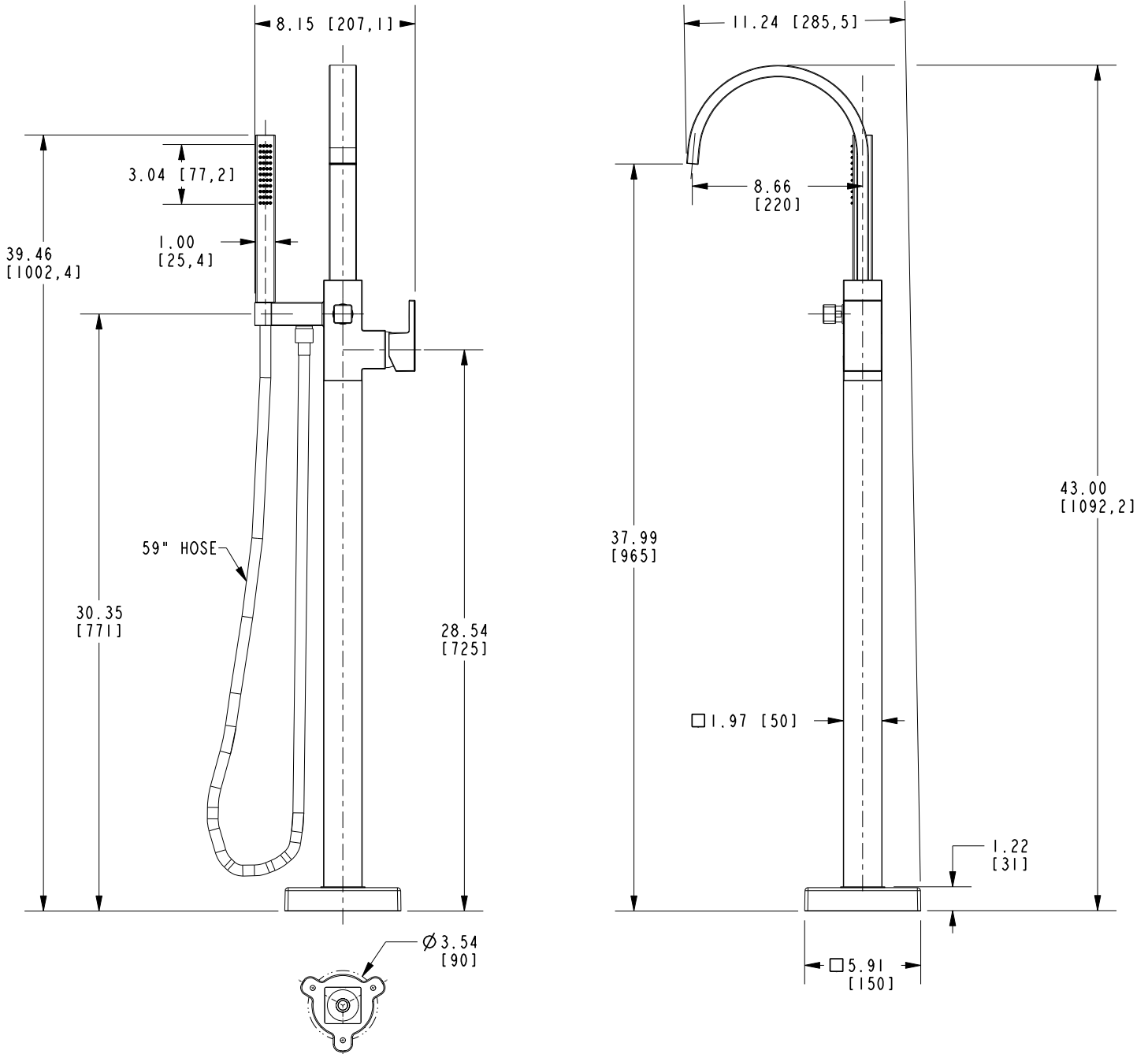
Product Specification: Add "Color / Finish" suffix to Model number, below.

The Freestanding Exposed Tub and Handshower Set shall be made of brass construction (with resin handshower). Freestanding TheFreestanding Exposed Tub and Handshower Set shall be made of brass construction (with resin handshower). Freestanding Exposed Tub and Handshower Set shall incorporate a Euro-motion ceramic disc 40 mm valve cartridge with ADA compliant contemporary lever handle and pull-out diverter. Product shall be designed for floor-mounted configurations. Product shall have a 37.99" (96.5 cm) tub spout height at outlet and 8.66" (22.0 cm) tub spout reach (center-center). Product shall feature a plated resin handshower having a contemporary design and a 1.8 gallons (6.7 liters) per minute maximum flow rate. Product shall include 3/4" braided hot and cold supply lines (with 1/2" adapters) and a floor mounting bracket with integral base and escutcheon. Freestanding Exposed Tub and Handshower Set shall be Newport Brass Model 2040-4261/____.[Optional Freestanding Tub Fill Rough Kit (Floor Mount) (3/4" NPT) shall be 1-339.]

2040-4261

PRODUCT DIMENSIONS *(Units are in inches)*

Product Dimensions are provided for reference only. For specific product installation guidelines, please reference the Installation Instructions of the product being installed.



Secant Tub and Handshower Set 2040-4261