

## NEWPORT BATH

### SHOWER DIVERTER PLATE

# 20-512

### Features

---

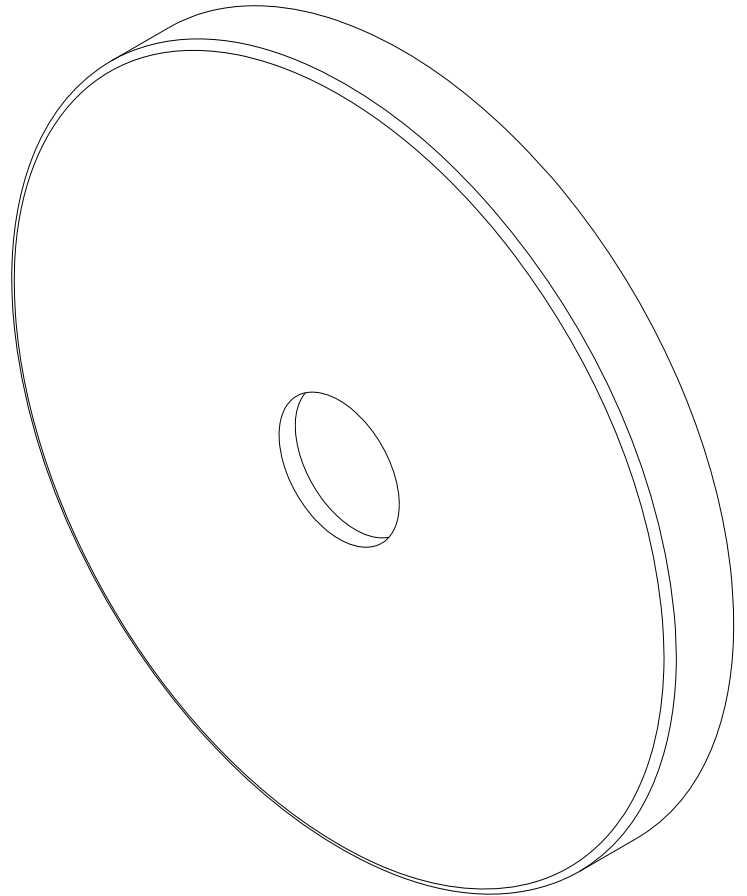
Solid brass construction  
Traditional styling  
For use cover 2.5" hole  
Requires Newport Brass Handle Trim ( many options available, sold separately)

### Codes / Standards Compliance

Meets or exceeds the following at date of manufacture:

---

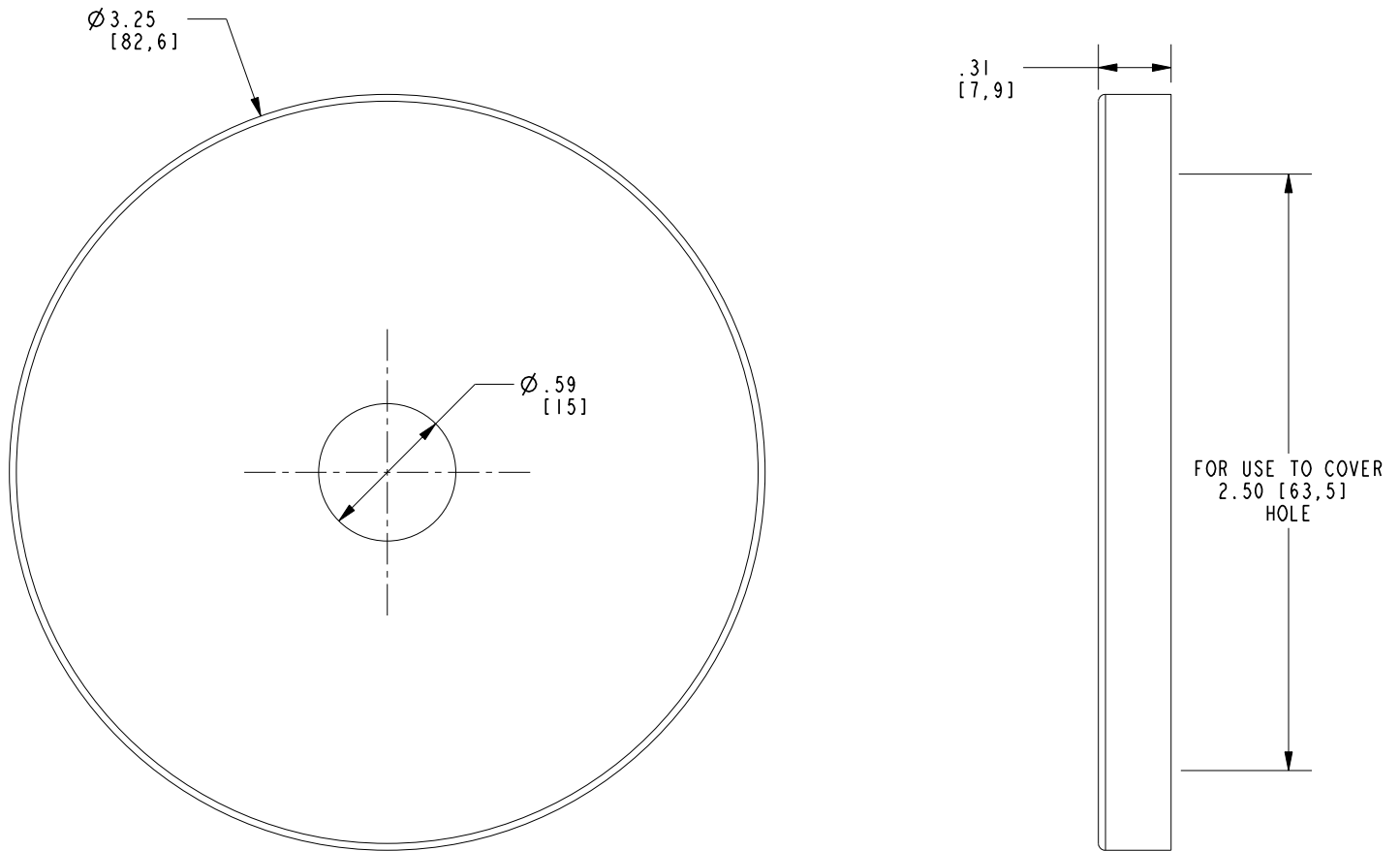
All applicable US Federal and State material regulations



# 20-512

## PRODUCT DIMENSIONS *(Units are in inches)*

Product Dimensions are provided for reference only. For specific product installation guidelines, please reference the Installation Instructions of the product being installed.



SHOWER DIVERTER PLATE

20-512

Page 2 of 2  
4776  
REVA

**NEWPORT BRASS**  
Flawless Beauty. From Faucet to Finish.

t: 949.417.5207 | [www.newportbrass.com](http://www.newportbrass.com)  
©2024 Brasstech, Inc.