

**Bidet Faucet
1669**

Features

- Solid brass construction
- Brass valve bodies
- Quarter-turn washerless ceramic disc valve cartridges
- ADA compliant traditional lever handles
- Basin-mounted aerated spray nozzle and pop-up drain with tailpiece
- Code compliant vacuum breaker
- 2.4 gallons (9.1 liters) per minute minimum flow rate



Codes / Standards Compliance

Meets or exceeds the following at date of manufacture:

- ASME A112.18.1/CSA B125.1
- IAPMO/cUPC
- IPC
- ADA
- ICC/ANSI A117.1
- CSA B64
- All applicable US Federal and State material regulations

Colors / Finishes

- 10B: Oil Rubbed Bronze
- 15: Polished Nickel
- 15S: Satin Nickel - PVD
- 26: Polished Chrome
- Other: Refer to the Newport Brass catalog for additional color/finish options.

Specified Model

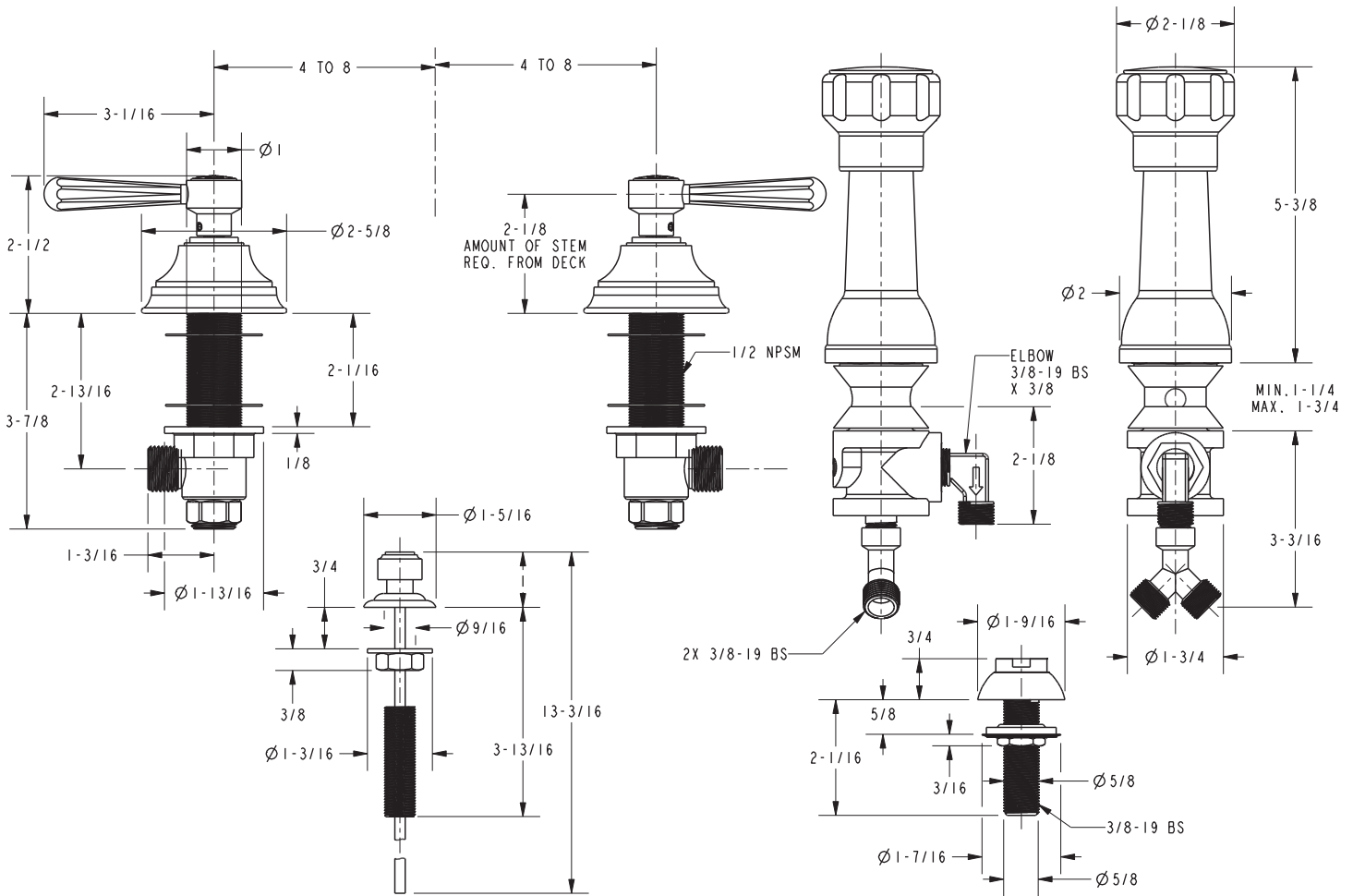
Model	Description	Colors Finishes
1669	Bidet Faucet	<input type="checkbox"/> 10B <input type="checkbox"/> 15 <input type="checkbox"/> 15S <input type="checkbox"/> 26 <input type="checkbox"/> Other

Product Specification Add "Color / Finish" suffix to Model number, below.

The Bidet Faucet shall be made of solid brass construction. Bidet Faucet shall feature brass valve bodies with quarter-turn, washerless ceramic disc valve cartridges. Bidet Faucet shall have a 2.4 gallons (9.1 liters) per minute minimum flow rate from a basin-mounted aerated spray nozzle. Bidet Faucet shall incorporate a code compliant vacuum breaker and a pop-up drain and tailpiece. Bidet Faucet shall incorporate ADA compliant lever handles and shall be Newport Brass Model 1669/_____.

1669

PRODUCT DIMENSIONS *(Units are in inches)*



Astaire Bidet Faucet 1669