

CHESTERFIELD

Air Gap Kit 1030-5711

Features

- Solid brass cap
- 2.62" (6.7 cm) height above deck
- 2.20" (5.6 cm) base diameter
- 5/8" (1.6 cm) dishwasher inlet, 7/8" (2.2 cm) outlet
- Complements Chesterfield product series



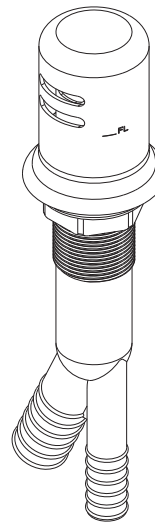
Codes / Standards Compliance

Meets or exceeds the following at date of manufacture:

- IAMPO PS 23
- IAMPO/UPC
- All applicable US Federal and State material regulations

Colors / Finishes

- 10B: Oil Rubbed Bronze
- 15: Polished Nickel
- 15S: Satin Nickel - PVD
- 26: Polished Chrome
- Other: Refer to the Newport Brass catalog for additional color/finish options.



1030-5711



1030-5751

Specified Model

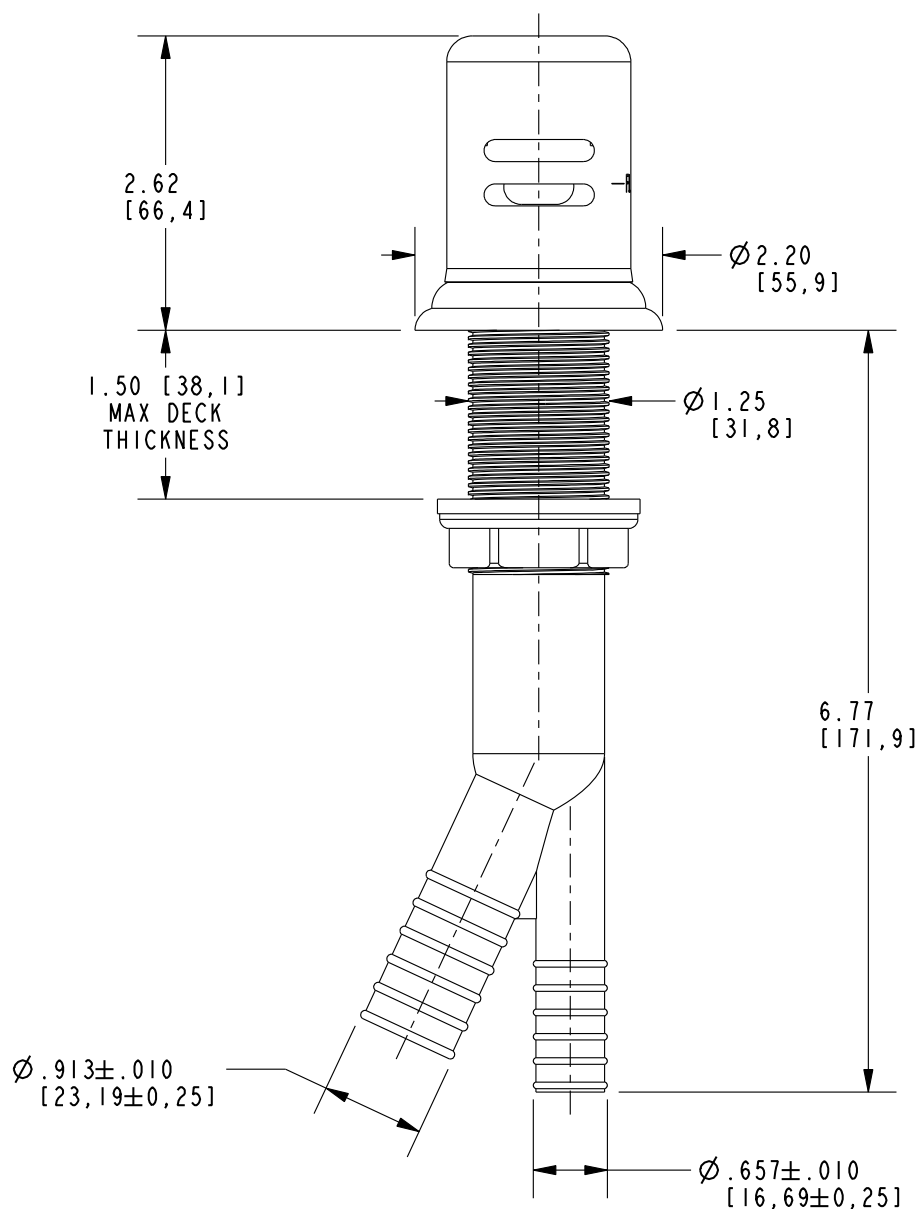
| Model | Description | Colors Finishes | | | | |
|-----------|-------------|------------------------------|-----------------------------|------------------------------|-----------------------------|--------------------------------|
| 1030-5711 | Air Gap Kit | <input type="checkbox"/> 10B | <input type="checkbox"/> 15 | <input type="checkbox"/> 15S | <input type="checkbox"/> 26 | <input type="checkbox"/> Other |
| 1030-5751 | Air Gap Cap | <input type="checkbox"/> 10B | <input type="checkbox"/> 15 | <input type="checkbox"/> 15S | <input type="checkbox"/> 26 | <input type="checkbox"/> Other |

Product Specification Add "Color / Finish" suffix to Model number, below.

The Air Gap Cap shall be made of solid brass construction. Product shall incorporate a 2.62" (6.7 cm) cap height and a 2.20" (5.6 cm) cap diameter base. The Air Gap Kit shall include the under deck mount air gap body. Air Gap Kit shall be Newport Brass Model 1030-5711/____. Air Gap Cap shall be Newport Brass Model 1030-5751/____.

1030-5711

Product Dimensions are provided for reference only. For specific product installation guidelines, please reference the Installation Instructions of the product being installed.



Chesterfield Air Gap Kit 1030-5711