

**Features**

- Solid brass cap
- 2.44" (6.2 cm) height above deck
- 1.94" (4.9 cm) base diameter
- 5/8" (1.6 cm) dishwasher inlet, 7/8" (2.2 cm) outlet
- Complements Nadya product series

**Air Gap Kit**  
**100**



**Codes / Standards Compliance**

Meets or exceeds the following at date of manufacture:

- IAMPO PS 23
- IAMPO/UPC
- All applicable US Federal and State material regulations

**Colors / Finishes**

- 10B: Oil Rubbed Bronze
- 15: Polished Nickel
- 15S: Satin Nickel - PVD
- 26: Polished Chrome
- Other: Refer to the Newport Brass catalog for additional color/finish options.



100



100-2

**Specified Model**

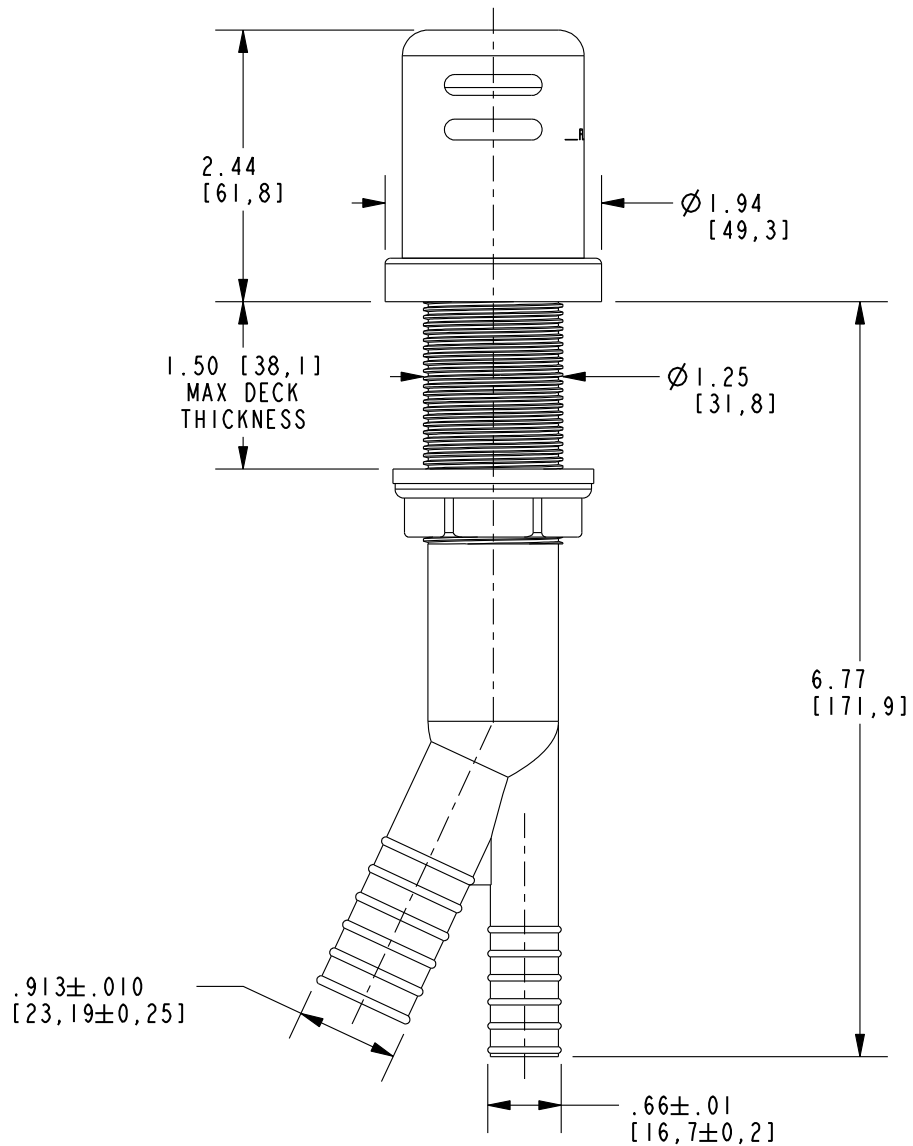
Model	Description	Colors   Finishes				
100	Air Gap Kit	<input type="checkbox"/> 10B	<input type="checkbox"/> 15	<input type="checkbox"/> 15S	<input type="checkbox"/> 26	<input type="checkbox"/> Other
100-2	Air Gap Cap	<input type="checkbox"/> 10B	<input type="checkbox"/> 15	<input type="checkbox"/> 15S	<input type="checkbox"/> 26	<input type="checkbox"/> Other

**Product Specification** Add "Color / Finish" suffix to Model number, below.

The Air Gap Cap shall be made of solid brass construction. Product shall incorporate a 2.44" (6.2 cm) cap height and a 1.94" (4.9 cm) cap diameter base. The Air Gap Kit shall include the under deck mount air gap body. Air Gap Kit shall be Newport Brass Model 100/\_\_\_\_\_. Air Gap Cap shall be Newport Brass Model 100-2/\_\_\_\_\_.

# 100

Product Dimensions are provided for reference only. For specific product installation guidelines, please reference the Installation Instructions of the product being installed.



## Nadya Air Gap Kit 100