

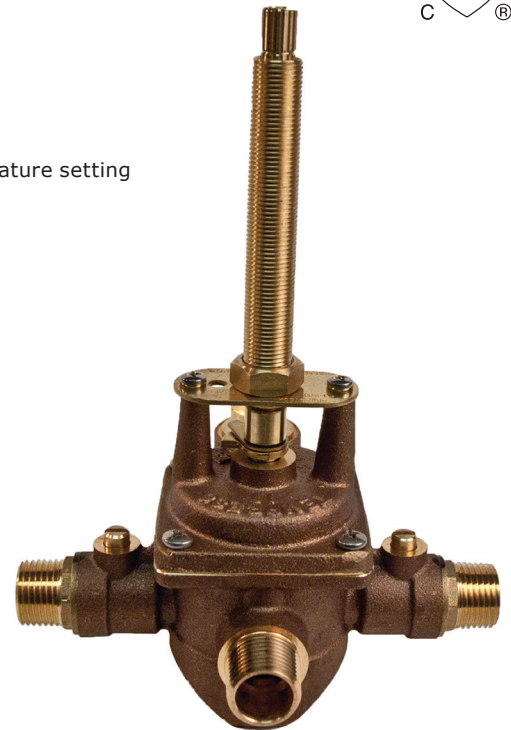
# ROUGH VALVE

## Features

- Solid brass construction
- Provides anti-scald protection and temperature regulation
- Pressure-balancing technology maintains water temperature within +/- 2 degrees Fahrenheit
- High-temperature safety stop ensures water temperature stays below maximum setting
- Integral hot and cold inlet stops ensure easy cartridge access
- Integral pull-style diverter with automatic reset
- Universal NPT and direct sweat connections for installation flexibility
- 1-1/4" functional depth (center-back) enables back-to-back installation.
- Maximum handle rotational requirement of 270 degrees to achieve maximum temperature setting
- 5.3 gpm (gallons per minute) flow rate (@ 50 psi)
- Requires Newport Brass BP Valve Trim (many options available, sold-separately)

## Balance Pressure Valve w/Diverter For Tub & Shower Installations

# 1-595



## Codes / Standards Compliance

Meets or exceeds the following at date of manufacture:

- ASME A112.18.1/CSA B125.1
- IAPMO/Cupc
- IPC
- ASSE 1016
- All applicable US Federal and State material regulations

## Specified Model

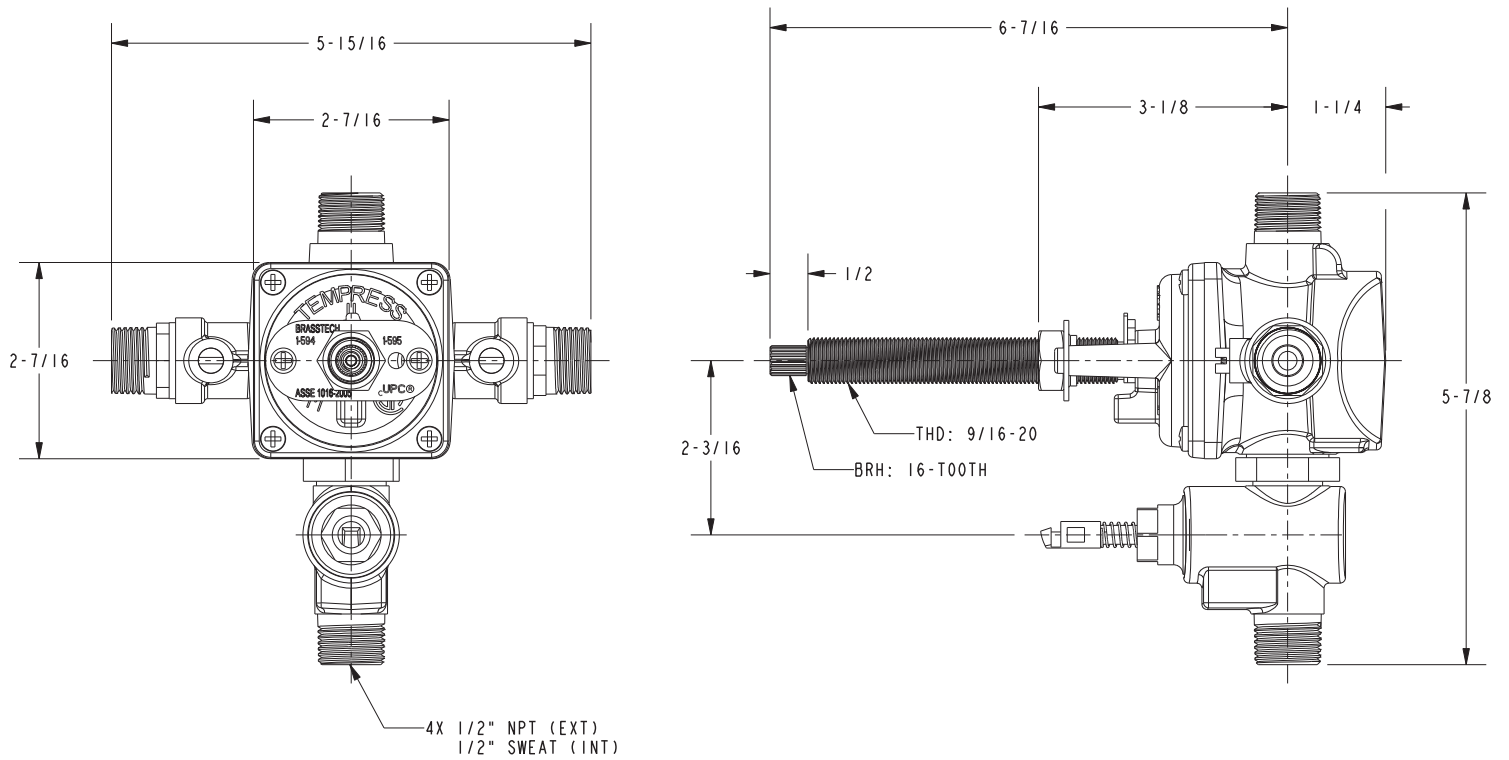
Model	Description	Colors   Finishes
1-595	Balance Pressure Valve w/DiverterFor Tub & Shower Installations	<input type="checkbox"/> NA

## Product Specification: Add "Color / Finish" suffix to Model number, below.

The Balance Pressure Valve for shower installations shall be made of solid brass construction. Valve shall provide anti-scald protection and temperature regulation while maintaining a constant set temperature of +/- 2° F when exposed to in-line pressure variations. Valve shall incorporate a high-temperature safety stop to allow for maximum temperature control at time of installation. Valve inlets shall include integral stops and incorporate a universal design so as to allow both NPT and direct sweat connections. Valve shall have an integral pull-style diverter with automatic preset. Valve shall have a functional depth (center - back) of 1-1/4" and a maximum permissible handle rotation of 270° to achieve maximum temperature setting. Valve shall have a maximum flow rate of 5.3 gpm (gallons per minute) @ 50 psi. Balance Pressure Valve for shower installations shall be Newport Brass Model 1-595.

# 1-595

## PRODUCT DIMENSIONS *(Units are in inches)*



### Newport Brass Rough Valve 1-595